

KITCHEN ISLAND



RÖSHULTS

LUXURY LIFESTYLE BRAND
FOR INDOOR AND OUTDOOR LIVING

THE KITCHEN ISLAND

Build your own Kitchen Island according to your needs.
The solid base is made of stainless steel and you can add the modules you need to create your own combination of your outdoor kitchen.
The frame can be adjusted in width of 2 modules up to 8. The result is a personalized useful piece of art to fit any larger terrace.







A VARIETY OF CHOICES

Made upon order it gives you a wide variety of choices to your Kitchen Island.
For example your island can be made with or without bar and the doors are also available in anthracite. Our Garden Bar Chair Low is made to fit perfectly to the Kitchen Island bar. One door per section with push to open function. In each section there is large storage compartments with shelvings in two levels. The shelves are removable.
Each frame is delivered with cut out for gas hoses and water pipes.



3 MODULES WITH BAR.
Frame, top and doors in stainless steel.



6 MODULES WITHOUT BAR.
Frame and top in stainless steel. Cabinets in anthracite.



5 MODULES WITHOUT BAR.
Frame, top and doors in anthracite.



4 MODULES WITHOUT BAR.
Frame top and doors in stainless steel.



5 MODULES WITH BAR.
Frame, top and doors in stainless steel.



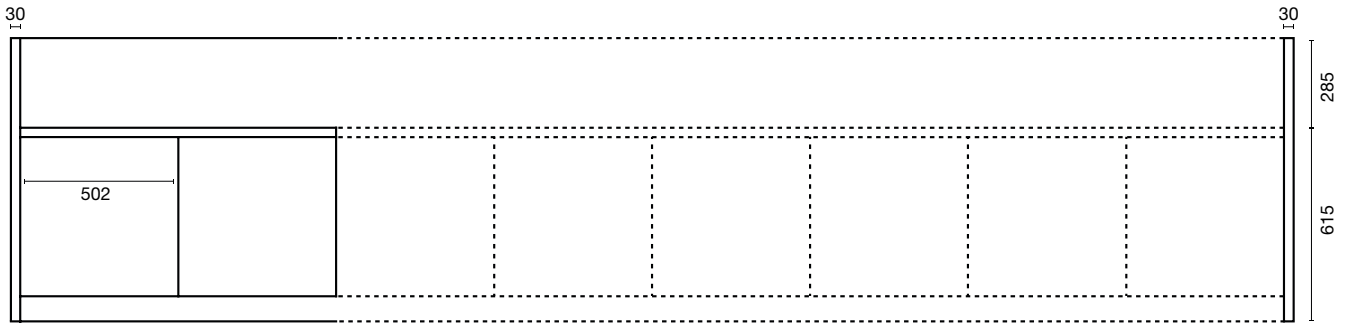
4 MODULES WITHOUT BAR.
Frame and top in stainless steel. Doors in anthracite.



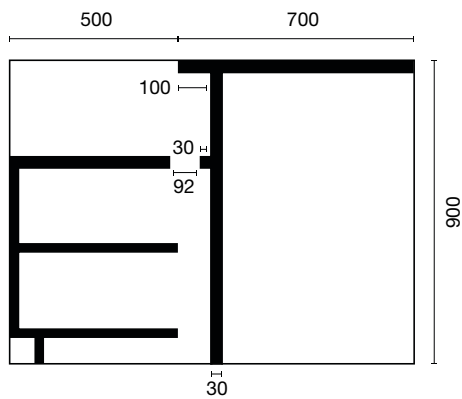
7 MODULES WITHOUT BAR. Frame, top and doors in stainless steel.

1 | LENGTH OF YOUR KITCHEN ISLAND.

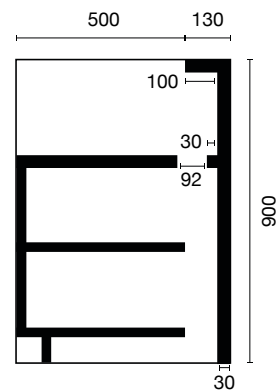
Select 2-8 sections. The frame is delivered with cut out for gas hoses and water pipes for each section.



2 | WITH OR WITHOUT BAR SECTION. Our Garden Bar Chair Low is made to fit perfectly to the Kitchen Island bar.

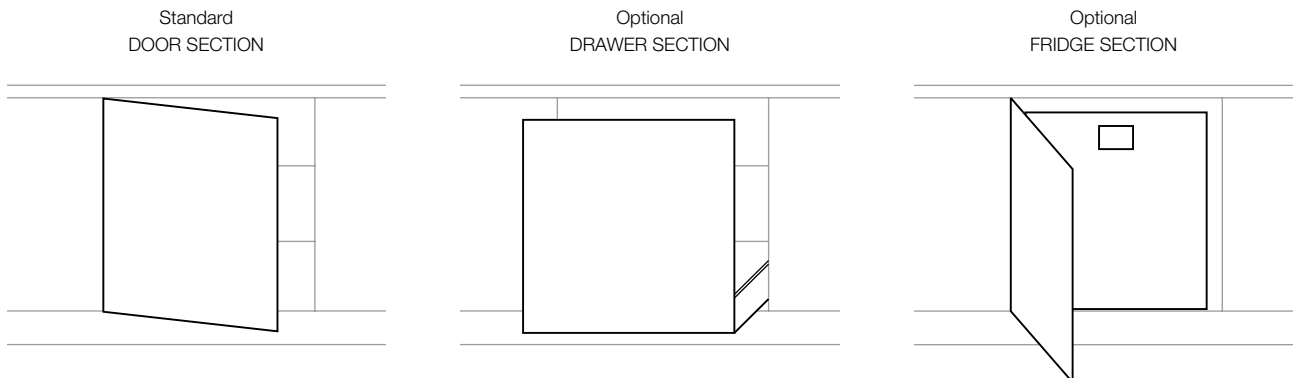


KITCHEN ISLAND WITH BAR SECTION



KITCHEN ISLAND WITHOUT BAR SECTION

3 | CABINETS. Select between door, drawer and/or fridge section. One door per section with push to open function. In each section there is large storage compartments with shelvings in two levels. The shelves are removable.



THE FRIDGE.

NOTICE: can only be selected with cabinet.



COOLMATIC CRD 50S

Storage volume (approx.): 38.5 l

Voltage: 12/24 V DC

Average power consumption: approx. 40 W

Current consumption: 1.5 Ah/h at +25 °C ambient temperature, 1.8 Ah/h at +32 °C ambient temperature, both at +5 °C interior temperature

Temperature range: Fixed point temperature preset at +5 °C (±1 °C)

Insulation: Polyurethane (PU) foam all around

System: Automatic reverse pole protection. Fully hermetic compressor with integrated control electronics. Low voltage protection / electronic fuse. Mechanical, continuously variable thermostat

Material:

Body: with coated metal frame;

Interior: Plastic;

Fittings: Stainless steel;

Door: Stainless steel (AISI316)

Colour: body: black, door: stainless steel

Built-in dimensions (W x H x D): Without door: 380 x 534 x 447 mm, With standard frame: 384 x 536 x 447 mm, With flush-mount frame: 406 x 536 x 495 mm

Weight (approx.): 19.0 kg

Supplied with: Removable wire basket

Test marks: TÜV/GS, e-certified (Automotive EMC Directive)



COOLPOWER MPS 35

Mains voltage: 110 – 240 volts AC

Output voltage: 25 V DC

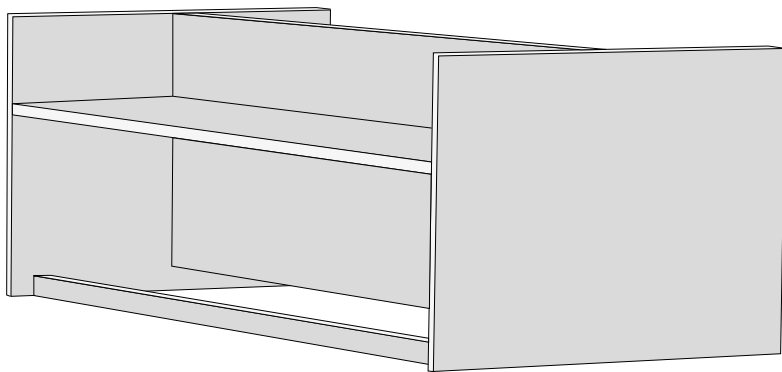
Output power: 75 W

Battery voltage: 12/24 V DC

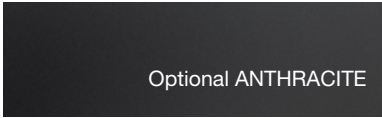
Output current: 3 A

System: Switch mode, automatic priority for mains operation

4 | THE FRAME. Select finish between stainless steel or coating in anthracite.



Standard STAINLESS STEEL



Optional ANTHRACITE

5 | DOORS.
Select finish between stainless steel or coating in anthracite.

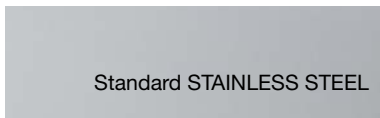


Standard STAINLESS STEEL

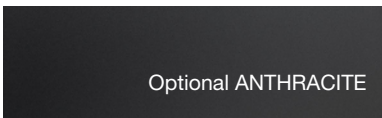


Optional ANTHRACITE

6 | TOP.
Material for the bar top.
Select material between stainless steel or anthracite.

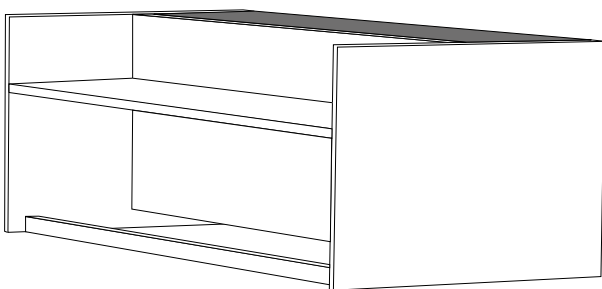


Standard STAINLESS STEEL

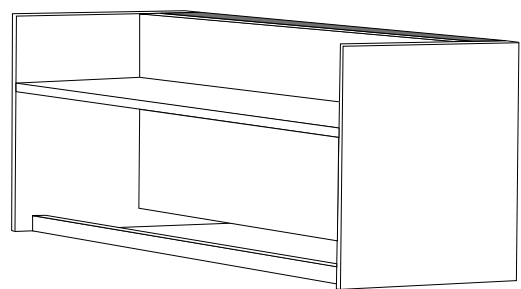


Optional ANTHRACITE

KITCHEN ISLAND WITH BAR SECTION



KITCHEN ISLAND WITHOUT BAR SECTION



7 | MODULES. Add the modules you need to create your own combination of your outdoor kitchen.



MODULE CUTTING BOARD

Module for our Kitchen Island or other custom built outdoor kitchen. Made of solid teak.

Design: Broberg & Ridderstråle

Materials: Teak

Measure cm: L 50 D 50 H 28,5

Measure in: L 20 D 20 H 112

Weight: 39 kg / 86 lb

Colours: Anthracite



MODULE KITCHEN SINK

Made of stainless steel. Connection of water meter has thread: G ½ " <http://mdmetric.com/tech/thddat7.htm>. warm/cold connection 3/8". The drain pipe has an outside diameter of Ø40 mm. Surface mounted hose and secure with a hose clamp.

Design: Broberg & Ridderstråle

Materials: Stainless Steel

Measure cm: L 50 D 50 H 28,5

Measure in: L 20 D 20 H 112

Weight: 30 kg / 66 lb

Colours: Anthracite



MODULE COOKER HOB

Makes cooking flexible with three gas rings in different sizes. LPG, city gas, G30 (28-30 mbar)

Design: Broberg & Ridderstråle

Materials: Stainless Steel

Measure cm: L 50 D 50 H 28,5

Measure in: L 20 D 20 H 112

Weight: 25 kg / 55 lb

Colours: Anthracite



MODULE BBQ GRILL

This grill is intended for charcoal but it's also available for gas.

Design: Broberg & Ridderstråle

Materials: Stainless Steel

Measure cm: L 50 D 50 H 28,5

Measure in: L 20 D 20 H 112

Weight: 30 kg / 66 lb

Colours: Anthracite



MODULE BBQ GRILL GAS

This grill is intended for gas but it's also available for charcoal. LPG 30 mbar, pipe 8-10 mm

Design: Broberg & Ridderstråle

Materials: Stainless Steel

Measure cm: L 50 D 50 H 28,5

Measure in: L 20 D 20 H 112 in

Weight: 30 kg / 66 lb

Colours: Anthracite



MODULE DRAWER UNIT

The module is made of high quality stainless steel and consists of one drawer. It gives you the necessary storage space to optimise your cooking.

Design: Broberg & Ridderstråle

Materials: Stainless Steel

Measure cm: L 50 D 50 H 28,5

Measure in: L 20 D 20 H 112 in

Weight: 30 kg / 66 lb

Colours: Anthracite

10 | ACCESSORIES. Choose accessories to your Kitchen Island.



LID

Made of stainless steel with handles of teak, it is stylish as well as durable and robust. It enhances flavours in the outdoor kitchen. By capturing heat from the barbecue, it also makes the outdoor cooking more effective. Fits to Module BBQ Grill and Module BBQ Grill Gas.



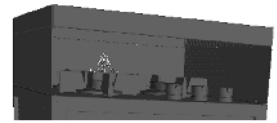
FIXED FRAME WITH LID

It's made of stainless steel and suitable to all our grills. By capturing heat from the barbecue, it makes the outdoor cooking more effective. Fits to Module BBQ Grill and Module BBQ Grill Gas.



WINDSHIELD FOR BBQ 100

An elegant way to protect your grill and its surroundings. Our Barbecue Windshield protects your grill from wind as well as your terrace from splashes. It is made of stainless steel, making it both durable and appealing. Fits to Module BBQ Grill and Module BBQ Grill Gas.



WINDSHIELD W COVER LID FOR COOKER HOB

The Windshield protects from wind and is equipped with a lid that keeps your cooker hob dry. Made of stainless steel, making it both durable and appealing. Fits to Module BBQ Grill and Module BBQ Grill Gas.



FRY TOP

A Fry Top makes your outdoor kitchen more versatile, resulting in an even better barbecue experience. It can be used for pancakes, potatoes, vegetables, bread and much more. Fits to Module BBQ Grill and Module BBQ Grill Gas.



WORK PLATE

Enables you to arrange and store food. When placed over a grill after having barbecued, it provides a warm surface – perfect for maintaining a nice temperature of the barbecue dinner. Fits to Module BBQ Grill and Module BBQ Grill Gas.



WOKHOLDER

An Asian influence to your outdoor kitchen. Røshults Wok Holder enables Asian cooking on your barbecue, adding variation to your grill dinners. Made of chrome, it has a natural high quality – perfect for wok. Fits to Module BBQ Grill and Module BBQ Grill Gas.



LUXURY GRIP FOR COOKING GRATE

Give your barbecue an extra luxurious touch. It is made of high quality leather, designed to enhance your cooking experience. Available in two different colours. Fits to Module BBQ Grill and Module BBQ Grill Gas.



GARDEN BAR CHAIR LOW

Garden Bar Chair low is a bar stool with a design influenced by minimalism. Its tight form and strict lines give it a timeless elegance. It is suited for our Kitchen Island. For extra comfort, an optional cushion in high quality Sunbrella fabric is available.



TRAY

Exclusive tray made of teak. It is beautiful as well as stable. With proportions suited to fit the cooking of the outdoor kitchen, it is an appreciated addition when barbecuing.



CUTTING BOARD

Exclusive cutting board made of teak. The hand made Cutting Board is beautiful as well as stable. When not in use, Røshults Cutting Board is to be stored indoors for optimum protection.



BBQ GLOVES

Luxurious protection for the ultimate grill experience. Taking both quality and style into account, the gloves are made of heavy suede leather and sewn in durable Kevlar threads. Being heat resistant, they are ideal for the oven and stove as well as the grill.



BOTTLE RACK

Røshults beautiful bottle rack made of teak is designed with style and stability in mind. Whether in your dining area, outdoor kitchen or wine cellar, it stores your wine in an elegant and practical manner.



APRON

A luxurious apron in high quality T/C Twill fabric. The apron has two loops, a leather patch embedded with our logo and two pockets for added practicality.

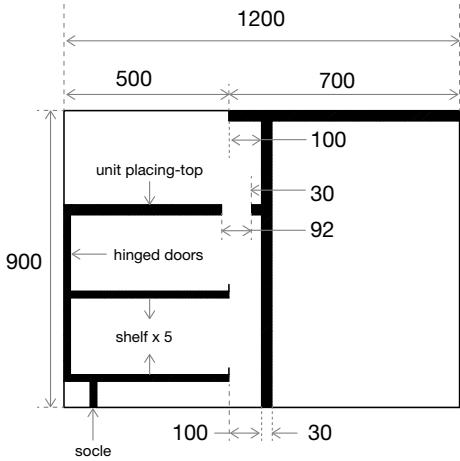
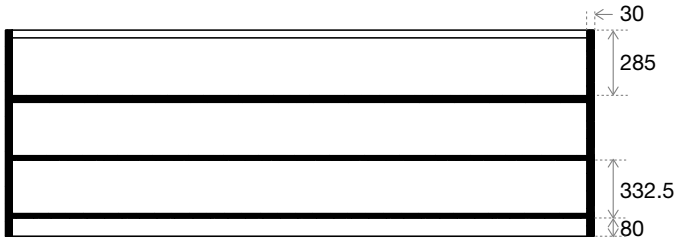
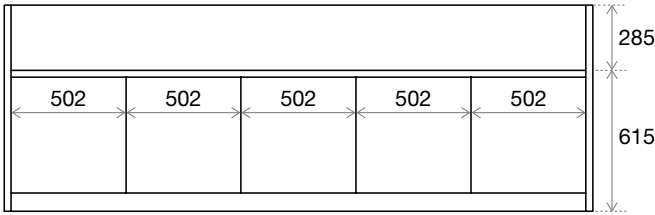
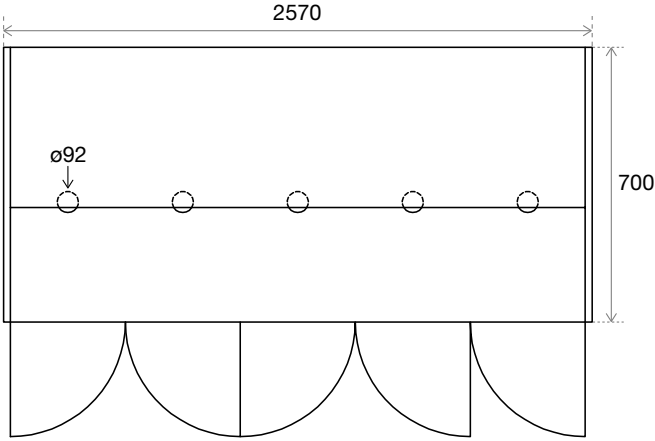


LUXURY COVER

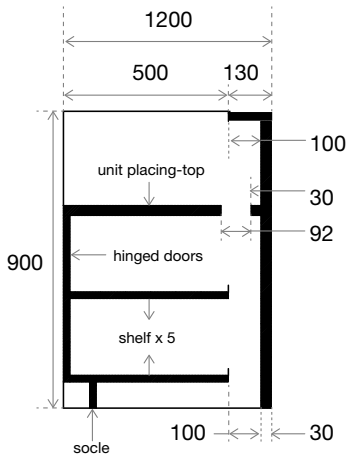
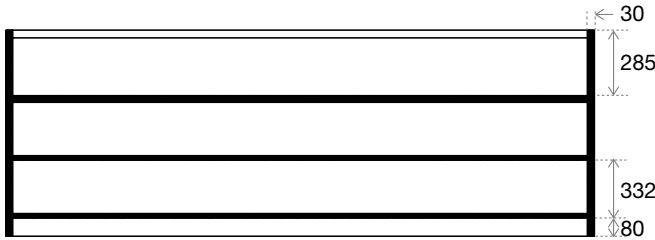
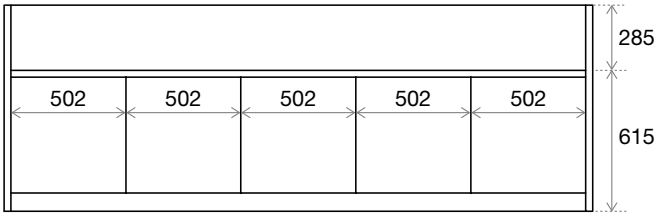
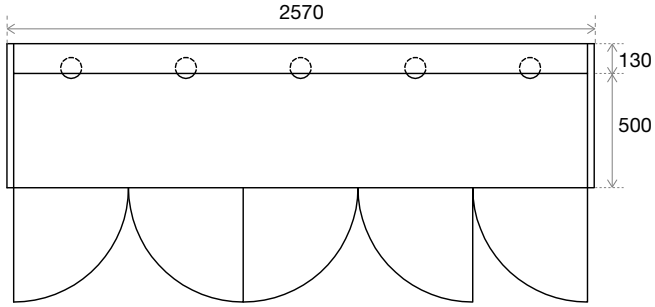
Protect your Kitchen Island in a luxurious way. Cover with high UV, water, mould and mildew resistance for your Kitchen Island.

MEASUREMENTS

KITCHEN ISLAND WITH BAR SECTION



KITCHEN ISLAND WITHOUT BAR SECTION



MATERIAL SELECTION

TEAK

A timber with natural golden brown nuance, beautiful fibres and good texture. With its unique traits, it is one of the most desired woods in the world. It does not whip, crack or turn brittle, nor does the colour alter when in contact with metal. Its naturally high oil content makes it resistant to rotting as well as insects. It is virtually maintenance free. Do note that teak, when exposed to the sun, will develop a silvery patina over time. Although it does not harm the quality, you can consult your local paint store if the original colour is preferred. We deliver our products untreated, letting the client decide. Also take into account that teak can react to its premier contact with moisture by grain rising. This is solved by using a fine-grained sandpaper. Our teak is FSC certificated and originated in Myanmar.

STAINLESS STEEL

A high quality, basically maintenance-free metal. If you wish to wipe off the surface, we recommend you to use warm water and a PH-adjusted soap. If stains would appear, you can use a standard rust removal and a polisher adapted for stainless steel. Avoid using brushes or sponges containing metal – particles may transfer into the material, causing rust.

AKZO NOBEL FINISH

A coating made with Akzo Nobel's Interpon D2525 technology. It is an ultra durable powder coating, meeting the demanding weathering preventive requirements of leading industry specifications.



ORDER FORM KITCHEN ISLAND

OPTIONS

2 3 4 5 6 7 8

1. LENGTH OF YOUR KITCHEN ISLAND. Select 2-8 sections.									
---	--	--	--	--	--	--	--	--	--

WITH WITHOUT

2. WITH OR WITHOUT BAR SECTION		
---------------------------------------	--	--

3. CABINETS. Select numbers of door, drawer and/or fridge section.	1	2	3	4	5	6	7	8	
Cabinet									
Drawer									
Fridge									

Standard STAINLESS STEEL Optional ANTHRACITE

4. FRAME. Select finish.		
---------------------------------	--	--

Standard STAINLESS STEEL Optional ANTHRACITE

5. DOORS. Select finish.		
---------------------------------	--	--

Standard STAINLESS STEEL Optional ANTHRACITE

6. TOP. Select finish.		
-------------------------------	--	--

7. MODULES. Select numbers of modules.	1	2	3	4	5	6	7	8	
Module Cutting Board									
Module Kitchen Sink									
Module Cooker Hob									
Module BBQ Grill									
Module BBQ Grill Gas									
Module Drawer Unit									

8. ACCESSORIES. Select numbers of optional accessories.	1	2	3	4	5	6	7	8	9
Lid									
Fixed Frame with Lid									
Windshield for BBQ 100									
Windshield w Cover Lid for Cooker Hob									
Fry Top									
Work Plate									
Wok Holder									
Luxury Grip for Cooking Grate									
Garden Bar Chair Low									
Tray									
Cutting Board									
BBQ Gloves									
Bottle Rack									
Apron									
Luxury Cover									

RETAIL:

DATE:

YOUR ORDER REFERENCE:

CUSTOMER:

COUNTRY FOR USE:

Send your order to your closest sales representative or to info@roshults.com



LUXURY LIFESTYLE BRAND
FOR INDOOR AND OUTDOOR LIVING

FOLLOW US:



Röshults Svenska Hantverk AB | Österängsvägen 3 | 554 63 Jönköping | Sweden | Tel: +46(0)36-440 32 10 | Mail: info@roshults.com

WWW.ROSHULTS.COM