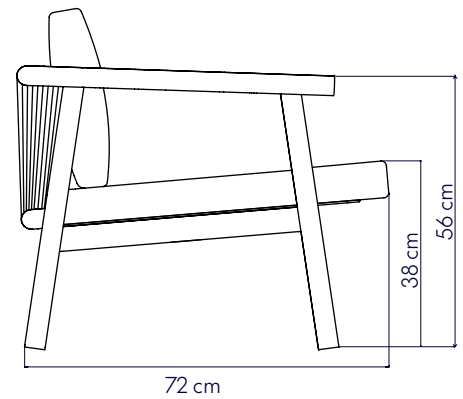
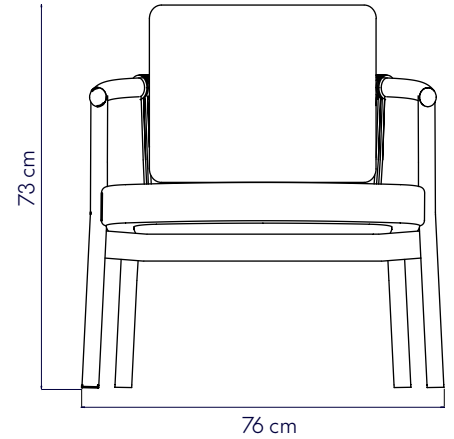




Balm has been designed to offer a wraparound and comfortable experience. A space where you can gather in those moments when we seek shelter, warmth, coziness and comfort. The structure made of round aluminum tube and the backrest braided with nautical rope embraces a soft cushion, inviting you to enjoy long and leisurely after-dinner conversations. The arms have been designed to offer a pleasant tactile sensation thanks to their texture, thickness and impeccable finish. Its use is particularly suitable for outdoor environments, but it can also be used indoors thanks to its versatile design.

The distinctive feature of this Collection lies in the backrest braided with nautical rope, which, with its cozy appearance and maritime connotations, adds a handcrafted touch to the product and defines the experience of being outdoors with elegance and style. Composed of the dining armchair and the low armchair, both products are available with Ø5mm. rope braided back or without rope. Balm offers a wide selection of ropes, fabrics and colors that facilitate their integration into any environment.

balm, low armchair



Frame

- Extruded aluminum, polyester powder coating.
- See all the available colors in our current Bivaq Catalog or website.

Nautical rope

- The nautical rope we use in this collection is crafted with polyester thread on the exterior and interior.
- This construction ensures maximum durability and resistance against climatic elements, as well as good elasticity and quick drying.

Cushions

- Removables.

Cushion filling

Seat cushion

- Composition 100% polieter fiber + polyester padding.
- Foam density 28 Kg/m3.

Back cushion

- Composition 70% polyester microfiber + 30% fiber

Acrylic fabric

- 100% solution dyed acrylic, UV resistance (class.7/8) with stain and water repellent finish.
- See all the available colors in our current Bivaq Catalog or website.

Vinylex fabric

- Synthetic fabric made of plastic coated polyester. UV resistance (class. 7/8).
- See all the available colors in our current Bivaq Catalog or website.

Polyolefin fabric

- Made of polyolefin material, to obtain a soft texture and good touch.
- Resistant to dirt as it does not penetrate inside, and by its nature is inert, non-toxic and does not absorb odors.

Weight and volume

Product	Kg/Lbs	m3/cft
Sit lounge sofa	15/33	0,47/16,5

Other features

Armchair is also available without rope.
The product is delivered assembled.
Available waterproof cover.
Suitable for outdoor use.
Resistant to weathering and sunlight.

balm, low armchair

Maintenance

Powder coating aluminium

- Clean the surface regularly with warm water and neutral soap. Use a non-abrasive sponge or cloth.
- Rinse with plenty of water immediately after cleaning and remove the water on the surface with a drying cloth to help you avoid water stains.

Nautical rope

- To clean the rope, we recommend using a damp sponge or cloth with a small amount of neutral soap diluted in a large quantity of water. If stains persist, gently scrub the affected area with a soft brush instead of a cloth.

Acrylic fabric

- For optimal cleaning, gently wipe the surface with a damp sponge or cloth using a neutral soap diluted in water.
- Should stubborn stains persist, employ a soft brush to gently agitate the affected area instead of a cloth.

Vinytex fabric

- It is recommended to clean it with a water humid sponge or cloth and a little bit of neutral soap, diluted in large quantity of water.
- If this doesn't work, use a soft brush instead of a cloth to rub the stain.
- Be careful and do not use hard chemicals products that can affect the fibers.

Polyolefin fabric

- To avoid general soiling, frequent vacuuming or light brushing to remove dust is recommended.
- Clean the surface regularly with warm water and neutral soap. Use a non-abrasive sponge or cloth.
- The fabric can be washed at low temperature (-30°C -90°F) with warm water and mild soap.