

ANDERSEN

QUALITY MEETS DESIGN



HC2 BAR STOOL

Design: byKATO



HC2 WITH EDGE AND CHARACTER – FSC-CERTIFIED

The HC2 bar stool is designed with a graphic expression and is distinguished by slightly angular contours that lend edge and character to the bar stool. The HC2 bar stool is FSC®-certified and produced with a focus on sustainable forestry and environmental considerations.

The HC2 bar stool is designed by byKATO in a characteristic combination of a powder-coated steel frame and solid wood, which gives the bar stool a simple and attractive look. The HC2 bar stool features a seat in a choice of oak or black and comes in two different heights. The design is the perfect match for the HT1 high table, which is also designed by byKATO. The chairs are designed to be hung on a table, so the bar stools are lifted from the floor when not in use.

The bar stool is designed to be multi-functional that makes it ideal for the canteen, the reception area, the open office environment and in public spaces.

PRODUCT HIGHLIGHTS

- FSC-certified
- Available in two heights: 65 cm and 79 cm
- Stylish design by byKATO
- Option to hang from a high table
- A multifunctional piece of furniture that can be used in many different rooms and environments

Andersen Furniture is part of Design Concept Denmark which is a FSC®-certified company.

We all have a responsibility to use nature's resources with care and respect and to leave nature in the best possible condition for future generations. As a company, we have a special responsibility. It certainly takes time and costs money to think sustainably, but, in our opinion, we can't afford not to.

FSC is an international control and traceability system that helps us ensure and document that the wood we use comes from sustainable forestry. This means, among other things, that we only use the wood that the forest can reproduce and that local employees in the forest are ensured health, education and proper working conditions.



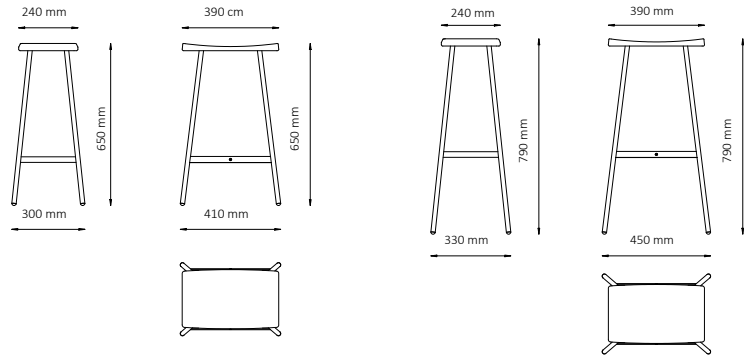
HC2 BAR STOOL

Design: byKATO



DIMENSIONS

HC2 // Bar stool	65 cm	79 cm
Depth	24 cm	24 cm
Width	39 cm	39 cm
Seat	65 cm	79 cm
Weight	5 kg	5,25 kg



SEAT



Oak, white pigmented matt lacquer



Ash, black lacquer

LEGS



Black structure painted frame



ACCESSORIES

An optional suspension bracket can be purchased so that the bar stool can be hung from a high table.

CLEANING

For daily cleaning, wipe the chair with a damp cloth. If the chair is dirty, it can be cleaned with a cloth which has been wrung out in mild soapy water.

TEST/CERTIFICATION

The HC2 chair fulfils the requirements in EN 1022:2005 and EN 16139:2013. Furniture - Strength, durability and safety.

The HC2 chair is FSC-certified.



HC₂ BAR STOOL

Design: byKATO