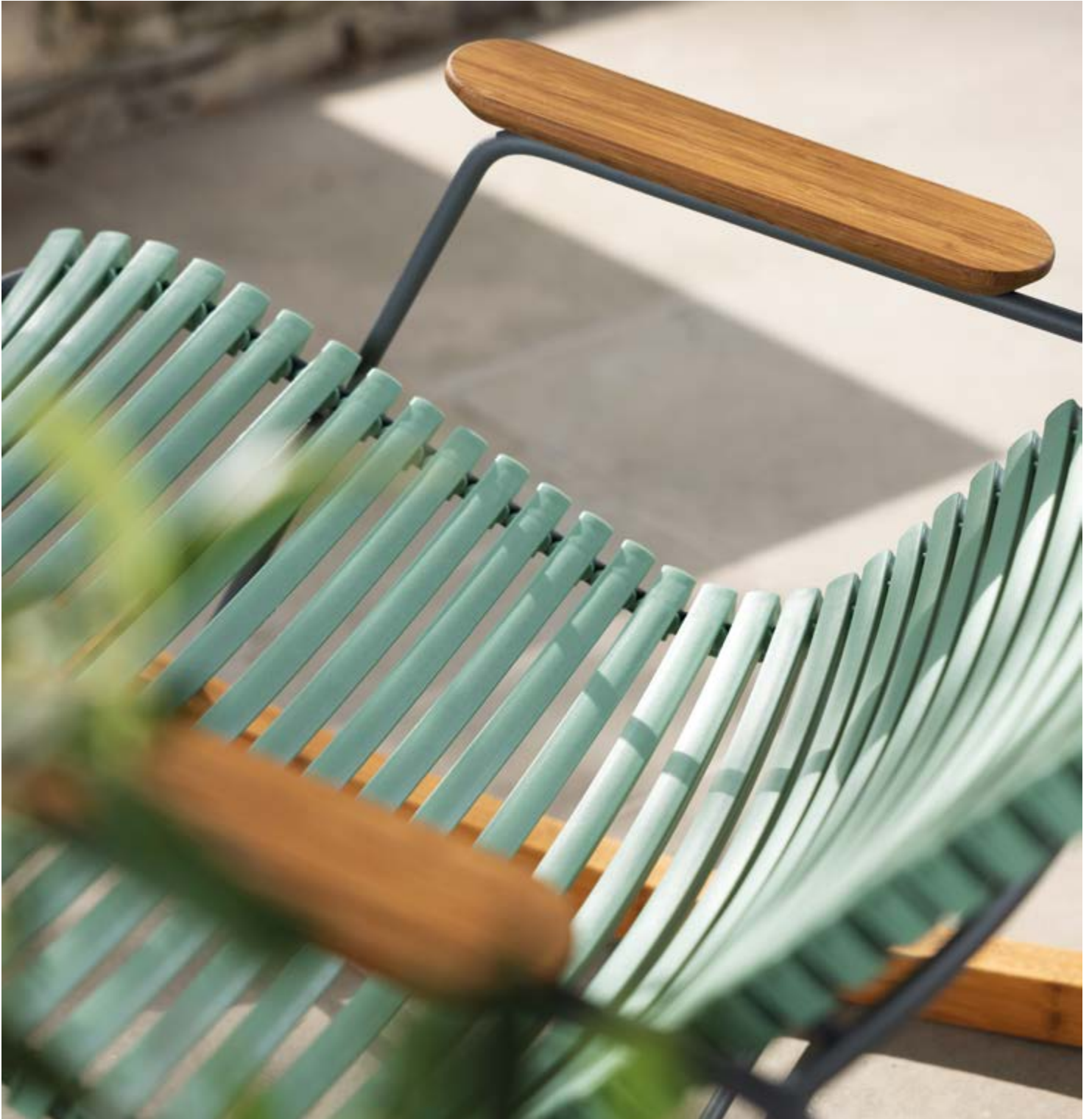


---

20 24

---

**HOUE**





# 02

## TERMS & POLICIES



### ASSEMBLY

Most tables, chairs, and loungers require assembly.

### CONDITIONS OF SALE

All prices are subject to our standard Conditions of Tender and Sale.

All orders are accepted subject to being charged at the prices valid at the date of dispatch.

### WARRANTY

HOUE offers a two or five year warranty on all products. All maintenance instructions must be followed to obtain warranty.

### RETURN POLICY

Written authorization must be obtained from HOUE prior to returning any products. Products returned without prior written authorization will be refused. HOUE only accepts the return of a product if it is a manufacturing defect.

Returned products are inspected by our Quality Control Manager and replaced or repaired if the damage is a result of a manufacturing defect. If it is determined not to be a manufacturing defect, the customer, along with the Quality Control Manager will decide which further actions to take.

Returned products will only be accepted if returned in their original packaging.

### SPECIFICATIONS

We reserve the right to change specifications and descriptions based on technical developments and the availability of materials.

---

# 04

---

## INDEX

OUTDOOR  
DINING & LOUNGE

---

# 06

ABOUT HOUE

# 08

NEWS

# 10

AVANTI

# 18

CLICK

# 24

PAON

# 28

RECLIPS

# 34

NAMI

# 40

TABLES

# 48

TRAY TABLES

# 54

LEVEL / LEVEL2

# 66

AVON

# 72

MOLO

# 76

PUI

# 78

TECH SPEC

# 144

MATERIALS &  
MAINTENANCE

---



# 06

HOUE ApS  
Rodelundvej 4A · 8680 Ry · Denmark

info@houe.com  
+45 5378 0800

HOUE.COM

**the experience  
of design and  
affordable high-quality**



HOUE is a Danish design house established in 2007 and founded on the Danish furniture tradition. We aim to bring the experience of design and affordable high-quality furniture to our customers.

In close cooperation, our designers and experienced development team ensure that every detail, joint, and component is carefully chosen or invented to create a unique product that combines comfort and aesthetics.

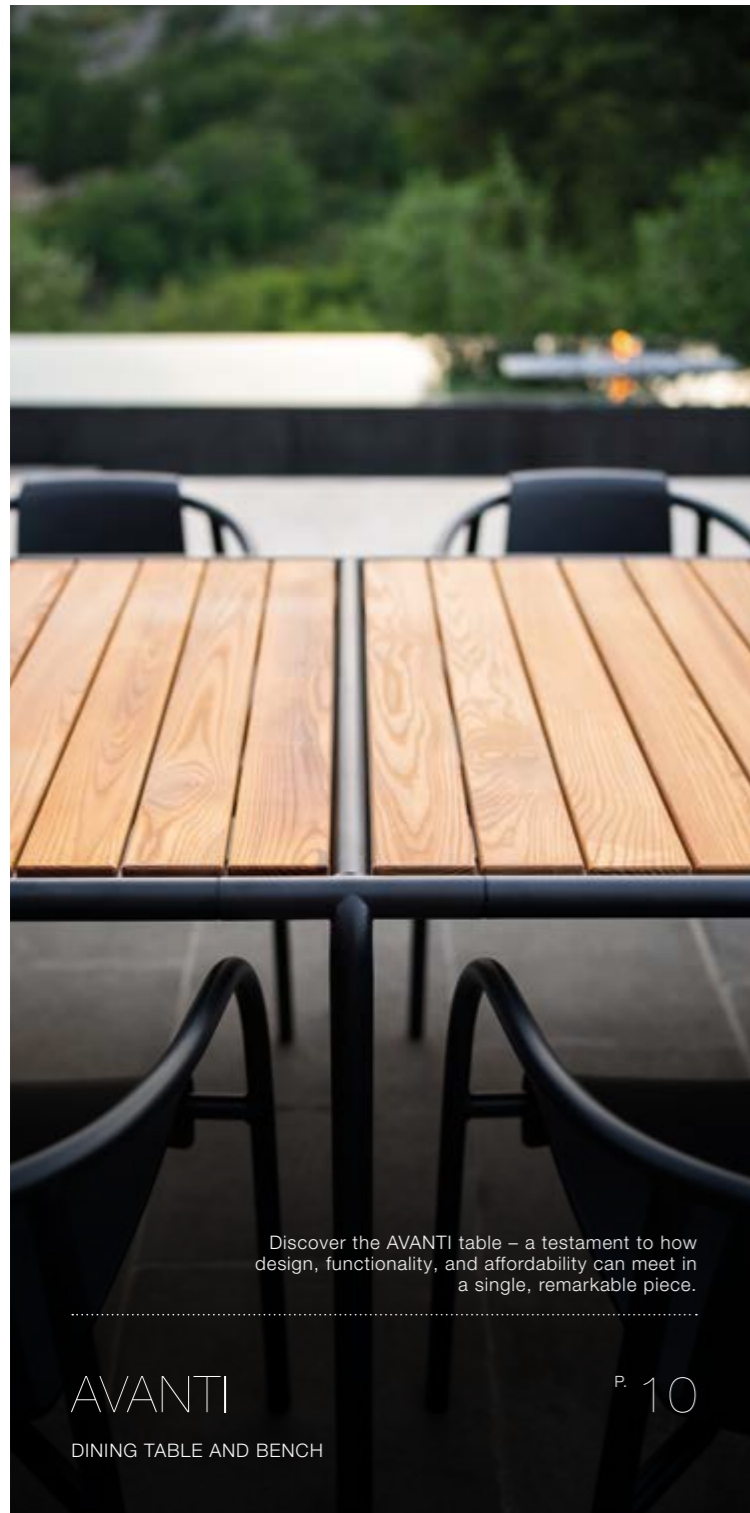
HOUE products are manufactured only in well-established factories with whom we have worked closely for several years.

With a commitment to responsible production, our indoor and outdoor collections meet high standards in terms of durability, design, quality, and price. Our thoughtful designs are made to enhance living space with style and functionality.



# 08

## NEWS



Discover the AVANTI table – a testament to how design, functionality, and affordability can meet in a single, remarkable piece.

AVANTI P. 10  
DINING TABLE AND BENCH



New for the CLICK collection – lamellas in Muted white

CLICK P. 18  
MUTED WHITE



Counter news: ReCLIPS Counter chair and FOUR Leg extension to create FOUR Counter height tables

RECLIPS P. 28 · FOUR P. 44  
COUNTER CHAIR LEG EXTENSION



LEVEL, LEVEL2 and AVON are now also available with muted white frames and new cushion colors

LOUNGE P. 54 · P. 66  
MUTED WHITE FRAME & CUSHION COLORS



# 10

**NEW**

Designed by HENRIK PEDERSEN

## AVANTI

OUTDOOR  
DINING

Welcome AVANTI

Discover the AVANTI table – a testament to how design, functionality, and affordability can meet in a single, remarkable piece.

AVANTI Dining tables are EU Ecolabel certified.





# 12

NEW

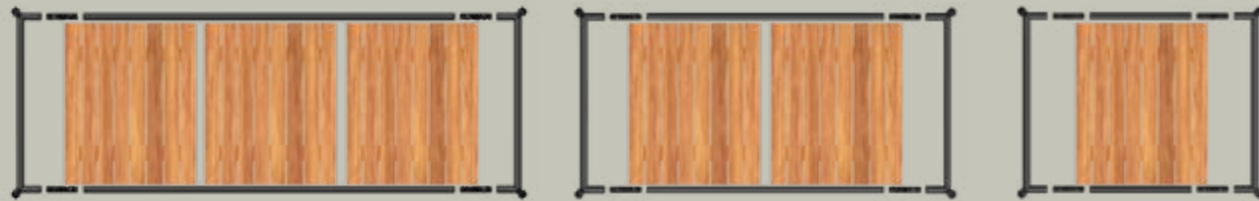
## AVANTI

OUTDOOR  
DINING

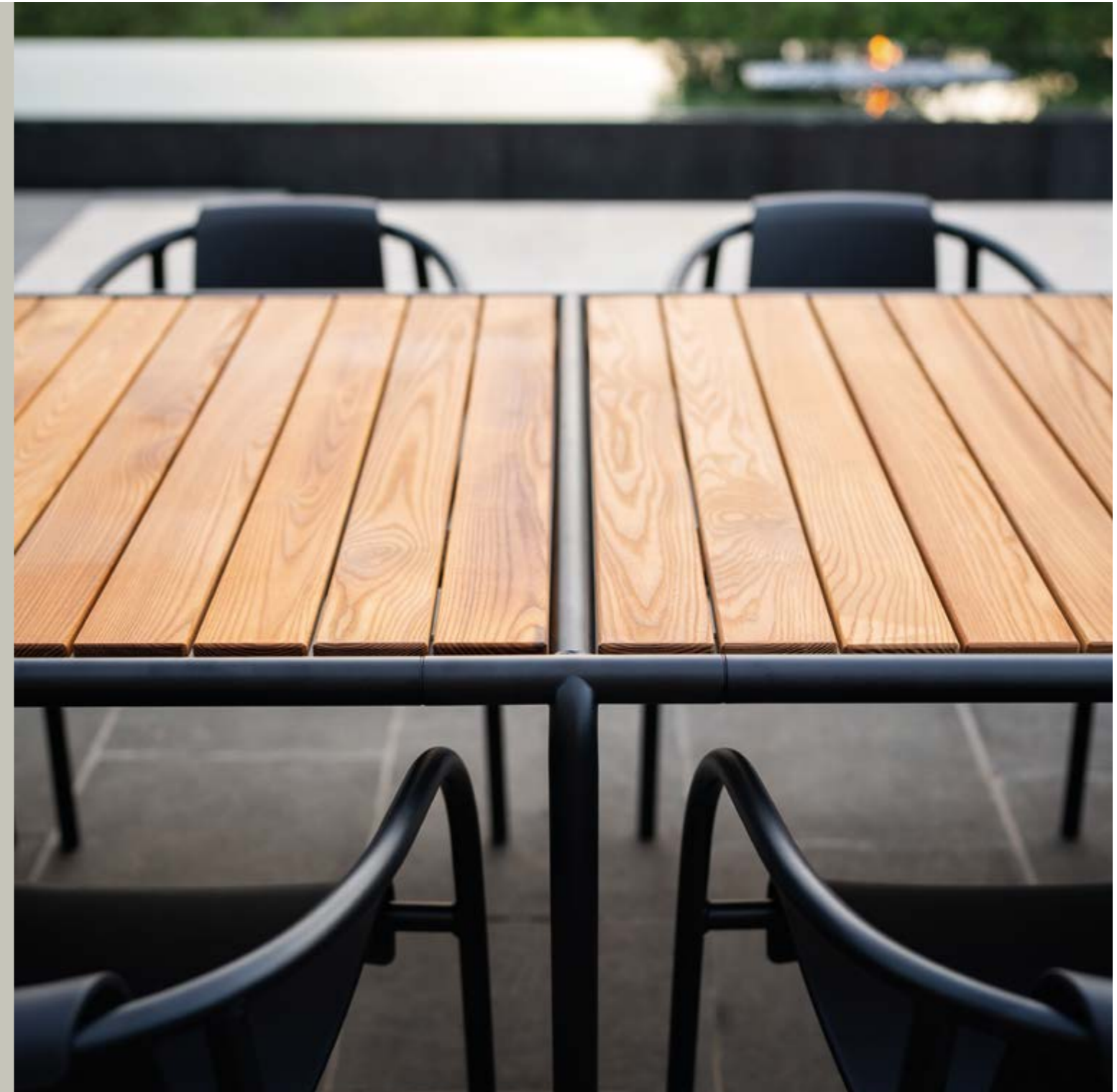
The name 'AVANTI' signifies progression, mirroring the table's innovative design that allows it to expand precisely according to your needs, accommodating any size of occasion and extending to welcome everyone.

A distinctive yet minimalistic look enables this table to complement any chair or to be mixed with the AVANTI Bench.

### FROM THREE SIZES



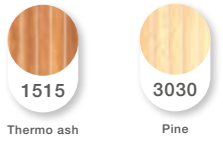
### TO INFINITY ...



## AVANTI

### OUTDOOR DINING

Powder coated black steel frame  
 Thermo ash or pine tabletop  
 FSC® – FSC C153404  
 Maintenance: Oil / Repair lacquer  
 xxxx = color code



**AVANTI 24151-XXXX-12**  
 Type Dining table, seats up to 4 persons  
 Size 83x98 cm // 32,7x38,6 in  
 Frame Powder coated black steel  
 Tabletop Thermo ash or pine

Thermo ash

Pine



**AVANTI 24152-XXXX-12**  
 Type Dining table, seats up to 6 persons  
 Size 153x98 cm // 60,2x38,6 in  
 Frame Powder coated black steel  
 Tabletop Thermo ash or pine

Thermo ash

Pine



**AVANTI 24153-XXXX-12**  
 Type Dining table, seats up to 8 persons  
 Size 222,5x98 cm // 87,6x38,6 in  
 Frame Powder coated black steel  
 Tabletop Thermo ash or pine

Thermo ash

Pine



**AVANTI INFINITY 24161-XXXX-12**  
 Type Extension set: Center leg, side frame set and tabletop in thermo ash or pine  
 Extension length 73,5 cm // 28,9 in

Thermo ash

Pine



**AVANTI INFINITY 24162-XXXX-12**  
 Type Extension set: Center leg, side frame set and tabletops in thermo ash or pine  
 Extension length 143,5 cm // 56,5 in

Thermo ash

Pine



**AVANTI INFINITY 24163-XXXX-12**  
 Type Extension set: Center leg, side frame set and tabletops in thermo ash or pine  
 Extension length 213 cm // 83,9 in

Thermo ash

Pine



**AVANTI CENTER LEG**

Type Center leg for extension

96-1202-12 Center leg



**AVANTI SIDE FRAMES**

Type Side frames

96-101-12 Side frames for 83x98 cm // 32,7x38,6 in

96-102-12 Side frames for 153x98 cm // 60,2x38,6 in

96-103-12 Side frames for 222x98cm // 87,4x38,6 in



**AVANTI TABLETOPS**

Type Tabletop

96-2401-15 Thermo ash

96-2401-30 Pine



**AVANTI END LEGS**

Type End legs

96-1201-12 End legs



**AVANTI 24122-XXXX-12**

Type Bench, medium, seats up to 2 persons  
 Size 129,5x48 cm // 50,8x18,9 in  
 Frame Powder coated black steel  
 Seat Thermo ash or pine

Thermo ash

Pine



**AVANTI 24123-XXXX-12**

Type Bench, long, seats up to 3 persons  
 Size 199,5x48 cm // 78,5x18,9 in  
 Frame Powder coated black steel  
 Seat Thermo ash or pine

Thermo ash

Pine





**NEW**



# 18



Designed by HENRIK PEDERSEN

## CLICK

OUTDOOR  
DINING & LOUNGE

A collection of outdoor chairs made of intelligently designed plastic lamellas combined with powder coated steel and beautiful bamboo parts. The components are carefully composed to give the chair exactly the right strength and resilience, providing excellent cushion-free seating.

CLICK is available in various models, and its wide range of color options ensures that our bestselling series seamlessly matches any requirements and surroundings.





# 20

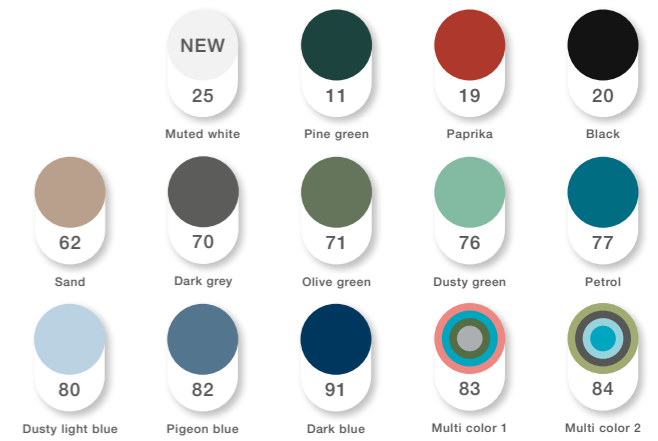
DESCRIPTION

COLORS

## CLICK

OUTDOOR  
DINING & LOUNGE

Plastic lamellas  
Powder coated grey steel frame  
Bamboo armrest and runners  
Maintenance: Oil / Repair lacquer  
xx = lamellas color code



**CLICK** 10814-XX18  
Type Dining chair without armrest  
Armrest N/A  
Lamella Ø12  
Dining chair without armrest



**CLICK** 10801-XX18  
Type Dining chair  
Armrest Bamboo  
Lamella Ø10  
Dining chair



**CLICK** 10812-XX18  
Type Dining chair tall back  
Armrest Bamboo  
Lamella Ø10  
Dining chair tall back



**CLICK** 10803-XX18  
Type Position chair  
Armrest Bamboo  
Lamella Ø10  
Positions 7  
Position chair



**CLICK** 10805-XX18  
Type Sunrocker  
Armrest Bamboo  
Lamella Ø12  
Positions 2  
Sunrocker



**CLICK** 10810-XX18  
Type Sunlounger  
Armrest Bamboo  
Lamella Ø12  
Positions 7  
Sunlounger



**CLICK** 10811-XX18  
Type Lounge chair  
Armrest Bamboo  
Lamella Ø12  
Lounge chair



**CLICK** 10813-XX18  
Type Footrest  
Lamella Ø10  
Footrest



**CLICK** 10804-XX18  
Type Rocking chair  
Armrest and runners Bamboo  
Lamella Ø12  
Rocking chair



**CLICK** 10818-8418 / 10818-2018  
Type Kids Rocking chair  
Armrest and runners Bamboo  
Lamella Ø10  
Age From 3 years  
Kids Rocking chair



**SPARE PART** LAMELLA  
Type CLICK lamella  
10807-XX CLICK lamella Ø10 / 0,4 in  
10808-XX CLICK lamella Ø12 mm / 0,5 in







# 24

## PAON

### OUTDOOR DINING & LOUNGE



A collection of furniture in powder coated steel combined with beautiful bamboo seats.

PAON is French for Peacock, and this bird is the inspiration behind the design of the PAON collection – have a look at the back, and you will notice.

PAON is light Scandinavian in its design with a touch of Victorian romance. The PAON collection is blessed with a seating comfort you would not expect from a furniture made of steel.

Designed by HENRIK PEDERSEN





# 26

DESCRIPTION

COLORS

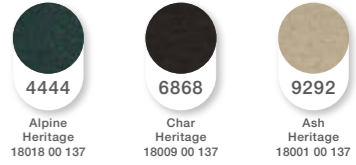
## PAON

OUTDOOR  
DINING & LOUNGE

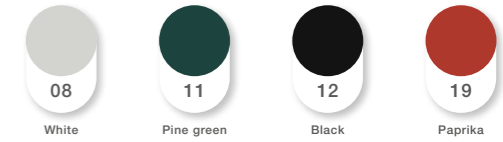
Powder coated steel frame  
Bamboo seat and runners  
Maintenance: Oil / Repair lacquer

xx = color code

Cushions



Frame



PAON 12801-03XX  
Type Seat Dining chair Bamboo

Dining chair



PAON 12802-03XX  
Type Seat Lounge chair Bamboo

Lounge chair



PAON 12803-03XX  
Type Seat and runners Rocking chair Bamboo

Rocking chair



PAON 12804-03XX  
Type Seat Bench Bamboo

Bench



PAON 12805-03XX  
Type Seat Bar chair Bamboo

Bar stool



PAON CUSHIONS  
Type Fabric Cushion for Dining/Lounge/Rocking/Bar/Bench Sunbrella Heritage

12841-XXXX Dining/Lounge/Rocking  
12844-XXXX Bench  
12845-XXXX Bar chair



# 28

MyTrash  
**RECLIPS**

OUTDOOR  
DINING & LOUNGE



ReCLIPS is a collection of chairs with wide lamellas clipped onto a powder coated aluminum frame.

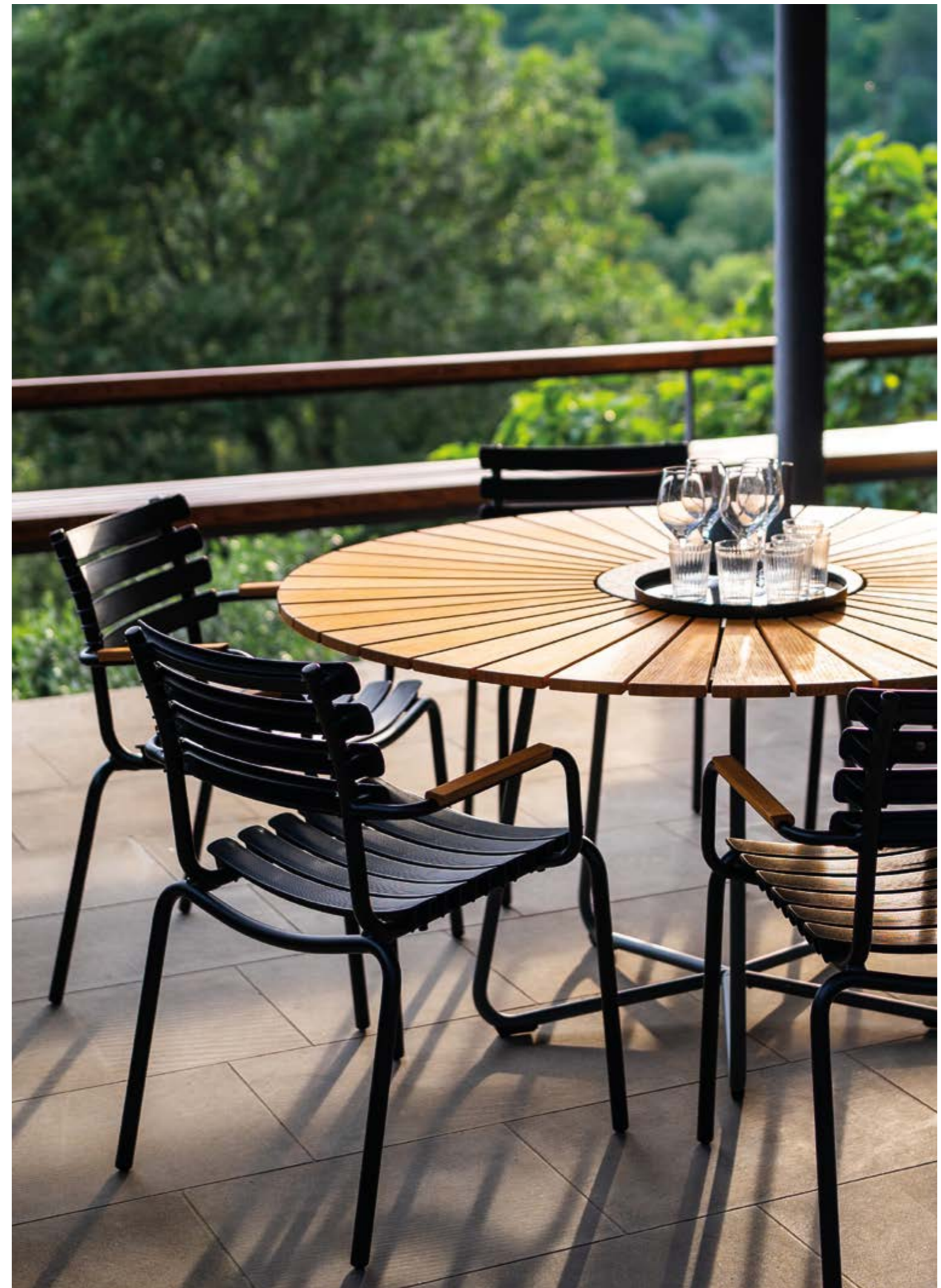
NEW FOR 2024 SEASON – we introduce ReCLIPS Counter chair. Just like the ReCLIPS Bar chair, it is available in black and olive green.

The lamellas are made from Danish household plastic waste and produced in Denmark. The expertise behind recycling plastic from households for furniture production is developed in Denmark. With ReCLIPS, you are essentially witnessing the result of mixing Danish design and Danish innovation, converting this new thinking and material into a chair.

ReCLIPS Dining, Rocking, and Lounge chairs come with the choice of aluminum or bamboo armrests. The aluminum frame, combined with the UV protected plastic lamellas, ensure that maintenance is kept to a minimum.

Designed by HENRIK PEDERSEN

HOUE





# 30

DESCRIPTION

COLORS

MyTrash  
**RECLIPS**

OUTDOOR  
DINING & LOUNGE

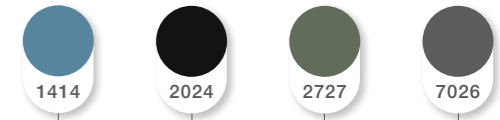
Lamellas made from Danish household plastic waste  
Powder coated aluminum frame

Bamboo or powder coated aluminum armrest

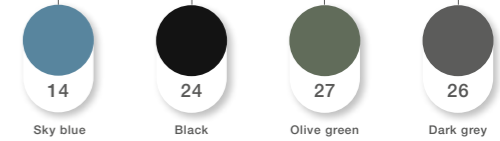
Maintenance: Oil / Repair lacquer

xxxx = lamella and frame color code · yy = armrest color code

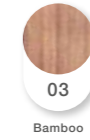
Monocolor



Armrest



Optional armrest



RECLIPS 22302-XXXX-YY

Type Dining chair  
Armrest Powder coated aluminum

Dining chair

RECLIPS 22302-XXXX-03

Type Dining chair  
Armrest Bamboo

Dining chair

RECLIPS 22303-XXXX-YY

Type Rocking chair  
Armrest Powder coated aluminum

Rocking chair

RECLIPS 22303-XXXX-03

Type Rocking chair  
Armrest Bamboo

Rocking chair

RECLIPS 22306-XXXX-YY

Type Lounge chair  
Armrest Powder coated aluminum

Lounge chair

RECLIPS 22306-XXXX-03

Type Lounge chair  
Armrest Bamboo

Lounge chair



RECLIPS 22305-XXXX

Type Available color  
Bar chair Black and olive green

Bar chair

RECLIPS NEW 22309-XXXX

Type Available color  
Counter chair Black and olive green

Counter chair

RECLIPS 22307-2024

Type Available color  
Bar stool Black

Bar stool

RECLIPS 22308-XXXX

Type Footrest

Footrest

SPARE PART LAMELLA

Type ReCLIPS lamella

22321-XX Center lamella

22322-XX End lamella

SPARE PART ARMREST

Type Quantity ReCLIPS Aluminum and bamboo armrest Set of two armrest  
93-0070-XX Aluminum Dining 93-0080-XX Aluminum Rocking/Lounge

93-0070-03 Bamboo Dining

93-0080-03 Bamboo Rocking/Lounge







# 34

MyTrash  
**NAMI**

OUTDOOR  
DINING & LOUNGE



NAMI collection consists of two dining chairs, a lounge chair and a café table.

The shell and tabletop are made from Danish household plastic waste and produced in Denmark.

The elegant curves in the shell are designed to resemble a wave washing over a beach. NAMI means wave and emphasizes the organic expression found in these stylish garden chairs.

The design is based on the forces and lines of nature and finds its natural place outdoors exposed to wind and weather.

The beautiful, molded NAMI shell and tabletop contains 97% Danish household plastic waste and 3% color pigment, and the frame is powder coated steel.

NAMI chairs are EU Ecolabel certified.

Designed by HANS THYGE & CO.

HOUE





# 36

DESCRIPTION

COLORS

MyTrash  
**NAMI**

OUTDOOR  
DINING & LOUNGE

Shell and tabletop made from Danish household plastic waste

Powder coated steel frame

Maintenance: Repair lacquer

xxxx = color code

Monocolor



**NAMI** 23814-XXXX  
Type Dining chair

Dining chair



**NAMI** 23801-XXXX  
Type Dining chair, armrest  
Armrest Powder coated steel

Dining chair, armrest



**NAMI** 23811-XXXX  
Type Lounge chair  
Armrest Powder coated steel

Lounge chair



**NAMI** 23850-XXXX  
Type Café table  
Size Ø65 cm // 25,6 in  
Available color Black and olive green

Café table







# 40



Designed by HENRIK PEDERSEN

NAMI table designed by HANS THYGE & CO.

## TABLES

### OUTDOOR DINING

Combinations of powder coated steel or aluminum, bamboo and Danish household plastic waste create a collection of well-designed outdoor dining tables which all complement HOUE dining chairs perfectly.

In the design process, a lot of effort is put into form and shape to make tables, that not only please the eye, but also give optimal stability and functionality.



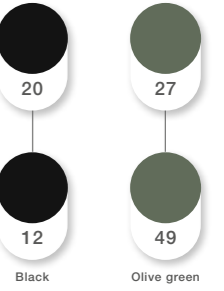


## TABLES

### OUTDOOR DINING

Powder coated grey or black legs/frame in steel or aluminum  
 Bamboo, aluminum or Danish household plastic waste tabletop  
 Granite  
 Maintenance: Oil / Repair lacquer  
 xxxx = color code

NAMI Monocolor



**CIRCLE** 11005-0326  
 Type Dining table, seats up to 6 persons  
 Size Ø110 cm // 43,3 in  
 Frame Powder coated grey aluminum  
 Tabletop Bamboo with granite center stone  
**Dining table**



**CIRCLE** 11006-0326  
 Type Dining table, seats up to 8 persons  
 Size Ø150 cm // 59,1 in  
 Frame Powder coated grey aluminum  
 Tabletop Bamboo with granite center stone  
**Dining table**



**LEAF** 11601-0318  
 Type Dining table, seats up to 9 persons  
 Size 145,5x145,5 cm // 57,3x57,3 in  
 Frame Powder coated grey steel  
 Tabletop Bamboo  
**Dining table**



**SKETCH** 10705-0318  
 Type Dining table, seats up to 6 persons  
 Size 160x89 cm // 63x35 in  
 Frame Powder coated grey steel  
 Tabletop Bamboo  
**Dining table**



**SKETCH** 10716-0318  
 Type Dining table, seats up to 8 persons  
 Size 220x89 cm // 86,6x35 in  
 Frame Powder coated grey steel  
 Tabletop Bamboo  
**Dining table**



**NAMI** 23850-XXXX  
 Type Café table  
 Size Ø65 cm // 25,6 in  
 Frame Powder coated steel  
 Tabletop Danish household plastic trash  
**Café table**



**CIRCUM** 12831-0312  
 Type Café table  
 Size Ø73,5 cm // 28,9 in  
 Frame Powder coated black steel  
 Tabletop Bamboo  
**Café table**



**CIRCUM** 12831-2412  
 Type Café table  
 Size Ø74 cm // 29,1 in  
 Frame Powder coated black steel  
 Tabletop Powder coated black aluminum  
**Café table**



**FOUR** 12424-0324  
 Type Bar table, fits ReCLIPS and PAON bar stools  
 Size 90x90 cm // 35,4x35,4 in  
 Frame Powder coated black aluminum  
 Tabletop Bamboo  
**Bar table**



**FOUR** 12425-0324  
 Type Bar table, fits ReCLIPS and PAON bar stools  
 Size 160x90 cm // 63x35,4 in  
 Frame Powder coated black aluminum  
 Tabletop Bamboo  
**Bar table**



**FOUR** 12424-2424  
 Type Bar table, fits ReCLIPS and PAON bar stools  
 Size 90x90 cm // 35,4x35,4 in  
 Frame Powder coated black aluminum  
 Tabletop Powder coated black aluminum  
**Bar table**



**FOUR** 12425-2424  
 Type Bar table, fits ReCLIPS and PAON bar stools  
 Size 160x90 cm // 63x35,4 in  
 Frame Powder coated black aluminum  
 Tabletop Powder coated black aluminum  
**Bar table**



## TABLES

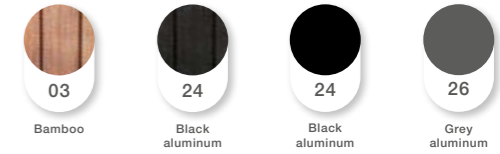
### OUTDOOR DINING

Powder coated black or grey aluminum frame

Bamboo or aluminum tabletop

Maintenance: Oil / Repair lacquer

xx = color code



**FOUR** 12401-03XX  
 Type Dining table, seats up to 4 persons  
 Size 90x90 cm // 35,4x35,4 in  
 Frame Powder coated black or grey aluminum  
 Tabletop Bamboo  
**Dining table**



**FOUR** 12402-03XX  
 Type Dining table, seats up to 6 persons  
 Size 160x90 cm // 63x35,4 in  
 Frame Powder coated black or grey aluminum  
 Tabletop Bamboo  
**Dining table**



**FOUR** 12403-03XX  
 Type Dining table, seats up to 8 persons  
 Size 210x90 cm // 82,7x35,4 in  
 Frame Powder coated black or grey aluminum  
 Tabletop Bamboo  
**Dining table**



**FOUR** 12404-03XX  
 Type Dining table, seats up to 10 persons  
 Size 270x90 cm // 106,3x35,4 in  
 Frame Powder coated black or grey aluminum  
 Tabletop Bamboo  
**Dining table**



**FOUR** 12401-2424  
 Type Dining table, seats up to 4 persons  
 Size 90x90 cm // 35,4x35,4 in  
 Frame Powder coated black aluminum  
 Tabletop Powder coated black aluminum  
**Dining table**



**FOUR** 12402-2424  
 Type Dining table, seats up to 6 persons  
 Size 160x90 cm // 63x35,4 in  
 Frame Powder coated black aluminum  
 Tabletop Powder coated black aluminum  
**Dining table**



**FOUR** 12403-2424  
 Type Dining table, seats up to 8 persons  
 Size 210x90 cm // 82,7x35,4 in  
 Frame Powder coated black aluminum  
 Tabletop Powder coated black aluminum  
**Dining table**



**FOUR** 12404-2424  
 Type Dining table, seats up to 10 persons  
 Size 270x90 cm // 106,3x35,4 in  
 Frame Powder coated black aluminum  
 Tabletop Powder coated black aluminum  
**Dining table**

**NEW**



**FOUR** <sup>NEW</sup> 12428-00XX  
 Type Leg extension for Counter height table – all sizes  
 Size 18 cm // 7,1 in  
 Frame Powder coated black or grey aluminum

Leg extension for Counter height table – all sizes

**NEW FOR SEASON 2024**  
 Introducing FOUR Counter height table – a new addition to both home and restaurant dining settings.

Achieving this height is as simple as adding the 18 cm leg extensions to any size of the FOUR Dining tables, transforming it into a stylish FOUR Counter height table.

Any FOUR Dining table + FOUR Leg extension



FOUR Counter height table



**FOUR** <sup>NEW</sup> COUNTER HEIGHT TABLE  
 Type Counter height table  
 Size All sizes  
 Frame Powder coated black or grey aluminum  
 Tabletop Bamboo or powder coated black aluminum

Counter height table

90x90 cm

160x90 cm

210x90 cm

270x90 cm







# 48



EDGE designed by ROEE MAGDASSI

EYELET designed by HENRIK PEDERSEN

## TRAY TABLES

OUTDOOR &  
INDOOR LOUNGE

The tray tables can be used in many different ways – individually, as a side table, or in combination with different sizes and colors. Both EYELET and EDGE are easy to move to where they are needed – indoor as well as outdoor.

EYELET is made from powder coated aluminum and steel.  
EDGE is made from powder coated steel.





## TRAY TABLES

OUTDOOR &  
INDOOR LOUNGE

Powder coated steel  
Maintenance: Repair lacquer

The half ring shaped handle makes it easy to move the table between the living room and the garden, and when laid down it functions as a table edge, making sure everything stays in place.

EDGE is designed by Roeie Magdassi  
xxxx = color code

Monocolor

NEW  
0808

Muted white

1212

Black

NEW  
4949

Olive green



EDGE

10911-XXXX

Type Tray table  
Size Ø46,5/H50 cm // Ø18,3/H19,7 in  
Frame Powder coated steel  
Tabletop Powder coated steel

Tray table



EDGE

10912-XXXX

Type Tray table  
Size Ø62/H43 cm // Ø24,4/H16,9 in  
Frame Powder coated steel  
Tabletop Powder coated steel

Tray table



EDGE

10913-XXXX

Type Tray table  
Size Ø76/H37 cm // Ø29,9/H14,6 in  
Frame Powder coated steel  
Tabletop Powder coated steel

Tray table



## TRAY TABLES

OUTDOOR &  
INDOOR LOUNGE

Powder coated steel and aluminum  
Maintenance: Repair lacquer

The EYELET Tray table has a special drainage system, which keeps the tray free from water after a rain shower.

EYELET is designed by Henrik Pedersen  
xxxx = color code



**EYELET** **20901-XXXX**

Type Tray table  
Size Ø45/H46,5 cm // Ø17,7/H18,3 in  
Frame Powder coated steel  
Tabletop Powder coated aluminum

**Tray table**



**EYELET** **20902-XXXX**

Type Tray table  
Size Ø57,5/H41 cm // Ø22,6/H16,1 in  
Frame Powder coated steel  
Tabletop Powder coated aluminum

**Tray table**



**EYELET** **20903-XXXX**

Type Tray table  
Size Ø70/H35 cm // Ø27,6/H13,8 in  
Frame Powder coated steel  
Tabletop Powder coated aluminum

**Tray table**



# 54

## LEVEL / LEVEL2

### OUTDOOR LOUNGE



**NEW FOR 2024 SEASON**  
The lounge collections LEVEL / LEVEL2 are now available with our new color: muted white, for all frames as well as the well-known dark grey.

LEVEL and LEVEL2 modules can be combined in many ways.

Muted white gives the lounge modules a light and clean look that blends into various surroundings – and complements the numerous textile colors available.

The lightweight, powder coated aluminum frame combined with bamboo tables and soft cushions, provides comfortable lounge areas naturally creating a cozy atmosphere anywhere.

Designed by HENRIK PEDERSEN





# 56

## LEVEL

### OUTDOOR LOUNGE

#### DESCRIPTION

Powder coated muted white or dark grey aluminum frame  
 Cushions in Basic dark grey and Sunbrella Heritage fabric in different colors. Read more on page 144  
 Maintenance: Repair lacquer  
 xx = fabric color code · yy = frame color code

Frame		Fabric			
<b>NEW</b> 43 Muted white	51 Dark grey	98 Dark grey Basic	57 Sooty grey Natté 10030 140		
16 Scarlet Heritage 18022 00 137	17 Rust Heritage 18021 00 137	31 Dijon Heritage 18023 00 137	42 Leaf Heritage 18011 00 137	44 Alpine Heritage 18018 00 137	47 Moss Heritage 18012 00 137
53 Indigo Heritage 18017 00 137	58 Sky Heritage 18016 00 137	64 Slate Heritage 18015 00 137	68 Char Heritage 18009 00 137	92 Ash Heritage 18001 00 137	95 Papyrus Heritage 18006 00 137



**LEVEL** 12201-XXYY

Type: Corner, right  
 Cushions: Basic // Sunbrella fabric  
 Frame: Powder coated aluminum

**Basic**

**Natté**

**Heritage**



**LEVEL** 12202-XXYY

Type: Corner, left  
 Cushions: Basic // Sunbrella fabric  
 Frame: Powder coated aluminum

**Basic**

**Natté**

**Heritage**



**LEVEL** 12205-XXYY

Type: Chair  
 Cushions: Basic // Sunbrella fabric  
 Frame: Powder coated aluminum

**Basic**

**Natté**

**Heritage**



**LEVEL** 12211-XXYY

Type: Cozy corner, right  
 Cushions: Basic // Sunbrella fabric  
 Frame: Powder coated aluminum

**Basic**

**Heritage**



**LEVEL** 12212-XXYY

Type: Cozy corner, left  
 Cushions: Basic // Sunbrella fabric  
 Frame: Powder coated aluminum

**Basic**

**Heritage**



**LEVEL** 12209-XXYY

Type: Chaiselong  
 Cushions: Basic // Sunbrella fabric  
 Frame: Powder coated aluminum

**Basic**

**Heritage**



# 58

## LEVEL2

### OUTDOOR LOUNGE

#### DESCRIPTION

Powder coated muted white or dark grey aluminum frame

Cushions in Basic dark grey and Sunbrella Heritage fabric in different colors. Read more on page 144

Maintenance: Repair lacquer

xx = fabric color code · yy = frame color code

#### Frame

NEW  
43

Muted white

51

Dark grey

#### Fabric

98

Dark grey Basic

16

Scarlet Heritage  
18022 00 137

17

Rust Heritage  
18021 00 137

31

Dijon Heritage  
18023 00 137

42

Leaf Heritage  
18011 00 137

44

Alpine Heritage  
18018 00 137

47

Moss Heritage  
18012 00 137

53

Indigo Heritage  
18017 00 137

58

Sky Heritage  
18016 00 137

64

Slate Heritage  
18015 00 137

68

Char Heritage  
18009 00 137

92

Ash Heritage  
18001 00 137

95

Papyrus Heritage  
18006 00 137



LEVEL2

22201-XXYY

Type  
Cushions  
Frame

Corner, right  
Basic // Sunbrella fabric  
Powder coated aluminum

Basic

Heritage



LEVEL2

22202-XXYY

Type  
Cushions  
Frame

Corner, left  
Basic // Sunbrella fabric  
Powder coated aluminum

Basic

Heritage



LEVEL2

22205-XXYY

Type  
Cushions  
Frame

Chair  
Basic // Sunbrella fabric  
Powder coated aluminum

Basic

Heritage



LEVEL2

22211-XXYY

Type  
Cushions  
Frame

Cozy corner, right  
Basic // Sunbrella fabric  
Powder coated aluminum

Basic

Heritage



LEVEL2

22212-XXYY

Type  
Cushions  
Frame

Cozy corner, left  
Basic // Sunbrella fabric  
Powder coated aluminum

Basic

Heritage



LEVEL2

22209-XXYY

Type  
Cushions  
Frame

Chaiselong  
Basic // Sunbrella fabric  
Powder coated aluminum

Basic

Heritage



# 60

## LEVEL / LEVEL2

### OUTDOOR LOUNGE

#### DESCRIPTION

Powder coated muted white or dark grey aluminum frame  
Bamboo tabletop

Cushions in Basic dark grey and Sunbrella Heritage fabric in different colors. Read more on page 144

Maintenance: Oil / Repair lacquer

xx = fabric color code · yy = frame color code

#### Frame

NEW

43

Muted white



51

Dark grey

#### Fabric



98

Dark grey Basic



57

Sooty grey Natté 10030 140



16

Scarlet Heritage 18022 00 137



17

Rust Heritage 18021 00 137



31

Dijon Heritage 18023 00 137



42

Leaf Heritage 18011 00 137



44

Alpine Heritage 18018 00 137



47

Moss Heritage 18012 00 137



53

Indigo Heritage 18017 00 137



58

Sky Heritage 18016 00 137



64

Slate Heritage 18015 00 137



68

Char Heritage 18009 00 137



92

Ash Heritage 18001 00 137



95

Papyrus Heritage 18006 00 137



#### LEVEL

12203-XXYY

Type  
Cushions  
Frame

Ottoman  
Basic // Sunbrella fabric  
Powder coated aluminum

Basic

Natté

Heritage



#### LEVEL2

22203-XXYY

Type  
Cushions  
Frame

Ottoman  
Basic // Sunbrella fabric  
Powder coated aluminum

Basic

Heritage



#### LEVEL / LEVEL2

12204-03YY

Type  
Size  
Tabletop  
Frame

Coffee table  
81x81 cm // 31,9x31,9 in  
Bamboo  
Powder coated aluminum

Coffee table



#### LEVEL / LEVEL2

12206-03YY

Type  
Size  
Tabletop  
Frame

Side table  
81x40 cm // 31,9x15,7 in  
Bamboo  
Powder coated aluminum

Side table



#### LEVEL / LEVEL2

COVERS

Type  
Fabric

Protection cover for corner and cozy corner,  
chair, chaiselong and ottoman  
Water repellent 100% polyester

12251/12252 Corner, right/left

12253 Ottoman

12255 Chair

#### LEVEL / LEVEL2

COVERS

12256/12257 Cozy corner, right/left

12258 Chaiselong



## LEVEL / LEVEL2

### OUTDOOR LOUNGE

The LEVEL / LEVEL2 collections consists of 4 end modules – 2 corners and 2 cozy corners, left and right, a chair module, a chaiselong module, an ottoman, a coffee table and a side table.

The modules can be combined in many different ways – find your inspiration here.

xx = fabric color code · yy = frame color code

Frame		Fabric			
NEW 43 Muted white	51 Dark grey	98 Dark grey Basic	57 Sooty grey Natté 10030 140		
16 Scarlet Heritage 18022 00 137	17 Rust Heritage 18021 00 137	31 Dijon Heritage 18023 00 137	42 Leaf Heritage 18011 00 137	44 Alpine Heritage 18018 00 137	47 Moss Heritage 18012 00 137
53 Indigo Heritage 18017 00 137	58 Sky Heritage 18016 00 137	64 Slate Heritage 18015 00 137	68 Char Heritage 18009 00 137	92 Ash Heritage 18001 00 137	95 Papyrus Heritage 18006 00 137



01	LEVEL / LEVEL2 Basic	Heritage	122C01-XXYY / 222C01-XXYY	05	LEVEL / LEVEL2 Basic	Natté *	Heritage	122C05-XXYY / 222C05-XXYY	
02	LEVEL / LEVEL2 Basic	Natté *	Heritage	122C02-XXYY / 222C02-XXYY	06	LEVEL / LEVEL2 Basic	Natté *	Heritage	122C06-XXYY / 222C06-XXYY
03	LEVEL / LEVEL2 Basic	Heritage	122C03-XXYY / 222C03-XXYY	07	LEVEL / LEVEL2 Basic	Natté *	Heritage *	122C07-XXYY / 222C07-XXYY	
04	LEVEL / LEVEL2 Basic	Natté *	Heritage	122C04-XXYY / 222C04-XXYY	08	LEVEL / LEVEL2 Basic	Natté *	Heritage	122C08-XXYY / 222C08-XXYY

\* Not available for LEVEL 2







# 66



Designed by HENRIK PEDERSEN

## AVON

### OUTDOOR LOUNGE

The AVON collection is designed with focus on creating a lounge collection with a very light appearance and a low sleek profile, while maintaining a high level of comfort. The simplicity of the frame, where low lines ensure, that the design always appears stylish, with and without cushions – summer or winter.

NEW FOR 2024 SEASON – Muted white frames and our Basic fabric are available as an addition to numerous colors in Sunbrella Heritage.





# 68

DESCRIPTION

## AVON

### OUTDOOR LOUNGE

Powder coated muted white or black steel frame  
 Cushions in Basic dark grey and Sunbrella Heritage fabric in different colors. Read more on page 144  
 Tabletop in thermo ash FSC® – FSC C153404  
 Maintenance: Oil / Repair lacquer  
 xx = fabric color code · yy = frame color code

Frame		Fabric			
Muted white 08	Black 12	Dark grey Basic 98	Scarlet Heritage 18022 00 137	Rust Heritage 18021 00 137	Dijon Heritage 18023 00 137
Indigo Heritage 18017 00 137	Sky Heritage 18016 00 137	Slate Heritage 18015 00 137	Leaf Heritage 18011 00 137	Alpine Heritage 18018 00 137	Moss Heritage 18012 00 137
Char Heritage 18009 00 137	Ash Heritage 18001 00 137	Papyrus Heritage 18006 00 137			



**AVON** 14207-XXYY  
 Type: 2 seater sofa  
 Cushions: Basic // Sunbrella fabric  
 Frame: Powder coated steel

Basic  
 Heritage



**AVON** 14205-XXYY  
 Type: Chair  
 Cushions: Sunbrella fabric  
 Frame: Powder coated steel

Basic  
 Heritage



**AVON** 14208-XXYY  
 Type: Ottoman  
 Cushions: Sunbrella fabric  
 Frame: Powder coated steel

Basic  
 Heritage



**AVON** 14208-15YY  
 Type: Table  
 Tabletop: Thermo ash FSC® – FSC C153404  
 Size: 81x81,5 cm // 31,9x32,1 in  
 Frame: Powder coated steel

Lounge table



**AVON** 14208-00YY  
 Type: Base for ottoman/table  
 Size: 81x81,5 cm // 31,9x32,1 in  
 Frame: Powder coated steel

Base for Ottoman/Table



**AVON** COVERS  
 Type: Protection cover for 2 seater sofa, chair and ottoman  
 Fabric: Water repellent 100% polyester

14227 2 seater sofa  
 14225 Chair  
 14228 Ottoman









Designed by HENRIK PEDERSEN

## MOLO

OUTDOOR  
LOUNGE

A sunbed with soft rounded bamboo lamellas and a leg-construction in powder coated black steel.

The back of the MOLO Sunbed is adjustable with five different positions. MOLO is versatile and can be used as a daybed too.

NEW FOR 2024 SEASON – MOLO Wheel. Simply attach the wheel set for MOLO to move it around with ease.

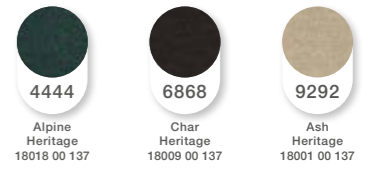




## MOLO

### OUTDOOR LOUNGE

Sunbed with bamboo lamellas and 5 positions  
 Powder coated black steel leg-construction  
 Wheel: Powder coated black aluminum, silicone  
 Cushions in Sunbrella Heritage fabric  
 in different colors. Read more on page 144  
 Maintenance: Oil / Repair lacquer  
 xxxx = fabric color code

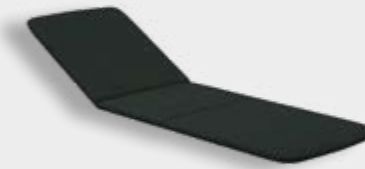


**NEW**



**MOLO** 13101-0312  
 Type Sunbed  
 Lamellas Bamboo  
 Frame Powder coated black steel

Sunbed



**MOLO** 13121-XXXX  
 Type Cushion  
 Cushion for sunbed Sunbrella fabric

Cushion



**MOLO WHEEL** 13131-2024  
 Type Wheel set for sunbed  
 Color Powder coated black aluminum

Wheels mounted on frame



# 76

NEW

Designed by HENRIK PEDERSEN

## PUI

### OUTDOOR LOUNGE

PUI is an ideal complement to our outdoor lounge collections. Whether lounging on the MOLO Sunbed or on the LEVEL, LEVEL2 or AVON, this outdoor scatter cushion introduces a touch of both style and comfort.

Sunbrella Heritage fabric is made from 50% recycled Sunbrella acrylic, 47% Sunbrella acrylic and 3% polyester.

xxxx = fabric color code

#### COLORS



**PUI** **12241-XXXX**

Type Scatter cushion – 1 pcs  
Cushions Removeable Sunbrella fabric with zipper  
Size 61x48 cm // 24x18,9 in

Scatter cushion – 1 pcs



**PUI** **12241-XXXX**

Type Scatter cushion – 1 pcs  
Cushions Removeable Sunbrella fabric with zipper  
Size 61x48 cm // 24x18,9 in

Scatter cushion – 1 pcs



**PUI** **12241-XXXX**

Type Scatter cushion – 1 pcs  
Cushions Removeable Sunbrella fabric with zipper  
Size 61x48 cm // 24x18,9 in

Scatter cushion – 1 pcs



**PUI** **12241-XXXX**

Type Scatter cushion – 1 pcs  
Cushions Removeable Sunbrella fabric with zipper  
Size 61x48 cm // 24x18,9 in

Scatter cushion – 1 pcs



**PUI** **12241-XXXX**

Type Scatter cushion – 1 pcs  
Cushions Removeable Sunbrella fabric with zipper  
Size 61x48 cm // 24x18,9 in

Scatter cushion – 1 pcs



**PUI** **12241-XXXX**

Type Scatter cushion – 1 pcs  
Cushions Removeable Sunbrella fabric with zipper  
Size 61x48 cm // 24x18,9 in

Scatter cushion – 1 pcs



---

# 78

---

## TECHNICAL

MEASURES  
& SPECIFICATIONS

---

**80**

AVANTI

**86**

CLICK

**94**

PAON

**100**

RECLIPS

**106**

NAMI

**110**

TABLES

**120**

TRAY TABLES

**126**

LEVEL / LEVEL2

**132**

AVON

**138**

MOLO

**144**

MATERIALS &  
MAINTENANCE

---



# 80

## AVANTI

### OUTDOOR DINING

Welcome AVANTI

Discover the AVANTI table – a testament to how design, functionality, and affordability can meet in a single, remarkable piece.

The name 'AVANTI' signifies progression, mirroring the table's innovative design that allows it to expand precisely according to your needs.

A distinctive yet minimalistic look enables this table to complement any chair or to be mixed with the AVANTI Bench.

The AVANTI table is designed with a modular nature, where three predefined lengths can either form individual tables – or be customized to any length by using one or more extension sets. This flexibility supports various arrangements, from cozy café styles to larger group settings.

The angled legs at the corners offer free placement and full usability of the table top surface, maximizing your space.

The AVANTI table and bench frames consist of powder coated black steel tubes, linked with connectors that offer remarkable stability and effortless assembly. The firm feet of AVANTI are an additional detail that refines the design.

Bench- and table tops are available in either thermo ash or pine (FSC® – FSC C153404), completing the modular design.

AVANTI Dining tables are EU Ecolabel certified.

Designed by Henrik Pedersen



5 year  
warranty



uv  
protected



weather  
resistant



EN581 for  
dining table



EU  
Ecolabel



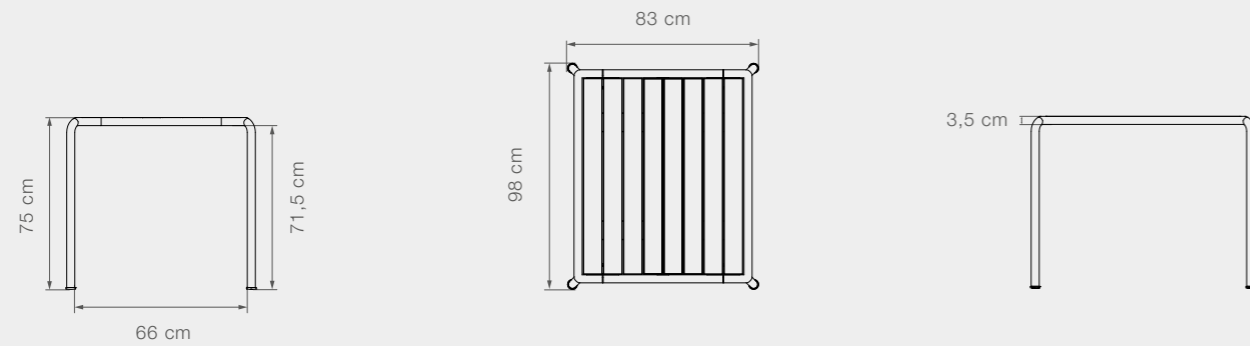


## AVANTI

### DINING SPECIFICATIONS

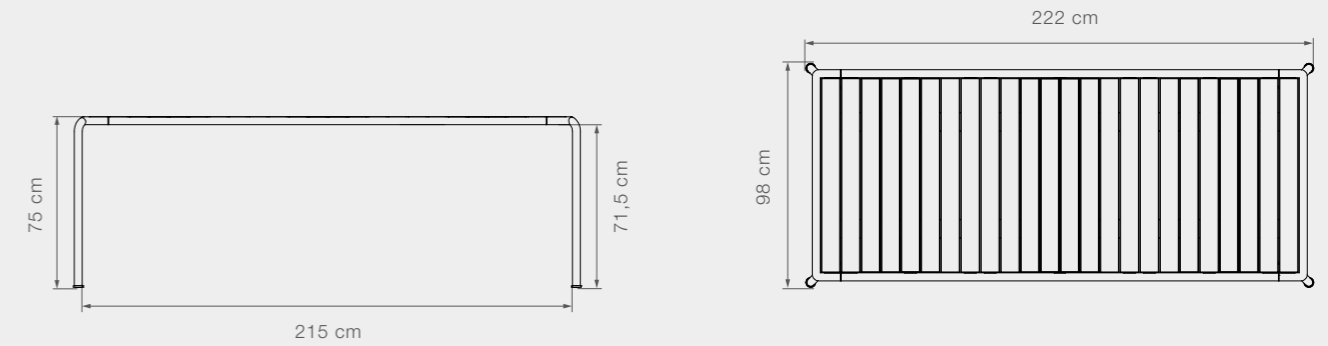
Powder coated black steel frame  
 Thermo ash or pine tabletop  
 FSC® – FSC C153404  
 Maintenance: Oil / Repair lacquer  
 \*TT = TableTop

24151 AVANTI Dining table



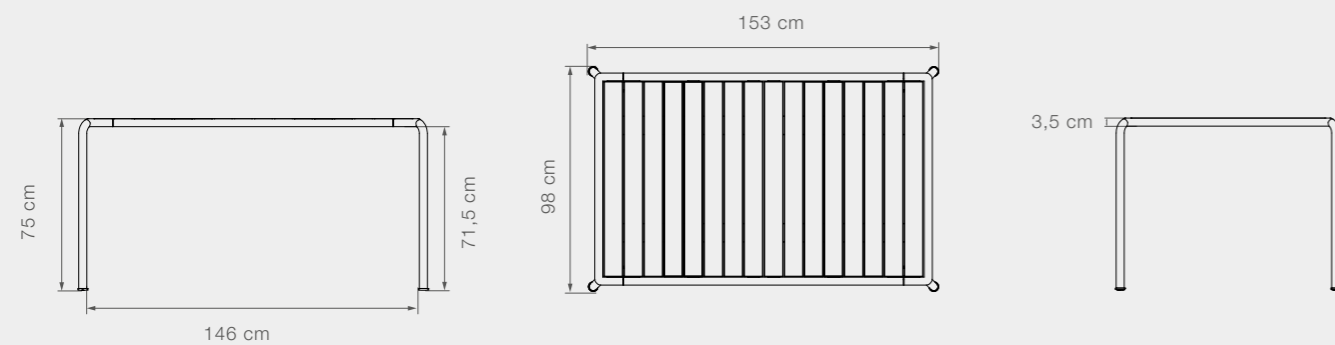
Product weight thermo ash	21 kg // 46,3 lbs	Width	98 cm // 38,6 in	Height under TT*	71,5 cm // 28,1 in	Space legs top	66 cm // 26 in
Product weight pine	19,5 kg // 43 lbs	Length	83 cm // 32,7 in	TT* thickness	3,5 cm // 1,4 in	Tabletop	1 pcs // 8 slats
Tube size	Ø35 mm // 1,4 in	Height	75 cm // 29,5 in	Space legs floor	66 cm // 26 in	Diameter	126,5 cm // 49,8 in

24153 AVANTI Dining table



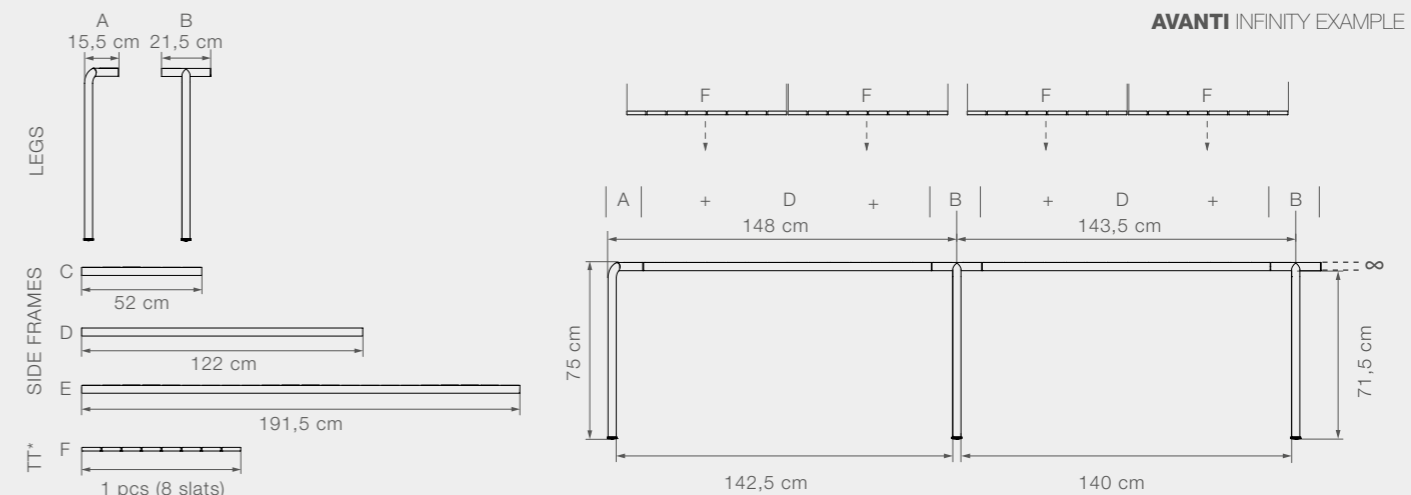
Product weight thermo ash	42 kg // 92,6 lbs	Width	98 cm // 38,6 in	Height under TT*	71,5 cm // 28,1 in	Space legs top	215 cm // 84,6 in
Product weight pine	37,5 kg // 82,7 lbs	Length	222 cm // 87,4 in	TT* thickness	3,5 cm // 1,4 in	Tabletop	3 pcs // 24 slats
Tube size	Ø35 mm // 1,4 in	Height	75 cm // 29,5 in	Space legs floor	215 cm // 84,6 in	Diameter	241,5 cm // 95,1 in

24152 AVANTI Dining table



Product weight thermo ash	31,5 kg // 69,4 lbs	Width	98 cm // 38,6 in	Height under TT*	71,5 cm // 28,1 in	Space legs top	146 cm // 57,5 in
Product weight pine	28,5 kg // 62,8 lbs	Length	153 cm // 60,2 in	TT* thickness	3,5 cm // 1,4 in	Tabletop	2 pcs // 16 slats
Tube size	Ø35 mm // 1,4 in	Height	75 cm // 29,5 in	Space legs floor	146 cm // 57,5 in	Diameter	179,5 cm // 70,7 in

AVANTI INFINITY EXAMPLE



Tube size	Ø35 mm // 1,4 in	C Side frame	52 cm // 20,5 in	Length	148 cm // 58,3 in	Space legs floor/top	142,5 cm // 56,1 in
A Leg	15,5 cm // 6,1 in	D Side frame	122 cm // 48 in	Length	143,5 cm // 56,5 in	Space legs floor/top	140 cm // 55,1 in
B Center leg	21,5 cm // 8,5 in	E Side frame	191,5 // 75,4 in	Length total	∞ cm // ∞ in	F Tabletop	4 pcs // 32 slats



## AVANTI

### DINING SPECIFICATIONS

Powder coated black steel frame

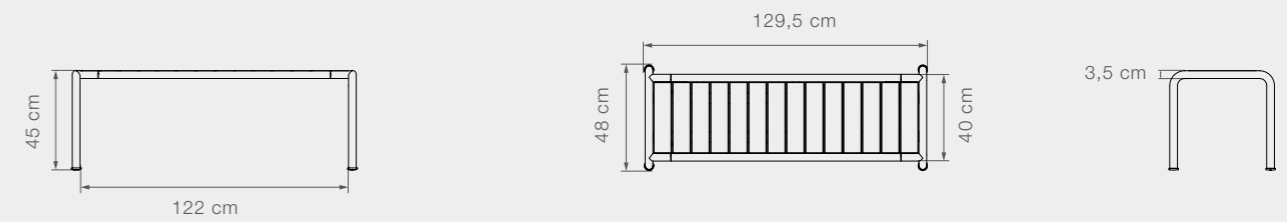
Thermo ash or pine seat  
FSC® – FSC C153404

Maintenance: Oil / Repair lacquer

\*TT = TableTop

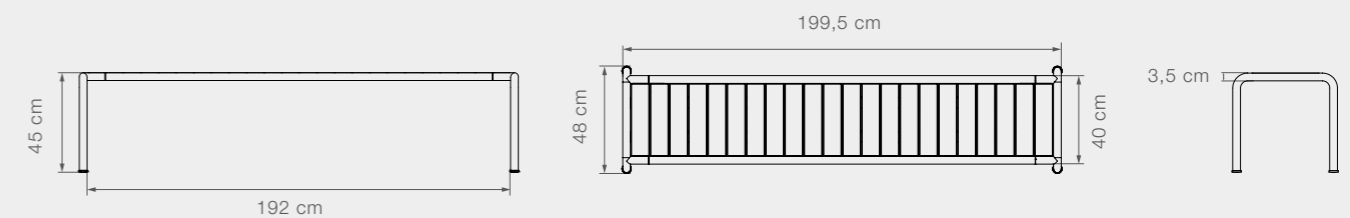


#### 24122 AVANTI Bench



Product weight thermo ash	16,3 kg // 35,9 lbs	Width	48 cm // 18,9 in	Seat width	122 cm // 48 in	Slats used	14 pcs
Product weight pine	14,5 kg // 32 lbs	Length	129,5 cm // 50,8 in	Seat depth	40 cm // 15,7 in	Diameter	137 cm // 53,9 in
Tube size	Ø35 mm // 1,4 in	Height	45 cm // 17,7 in	Seat height	45 // 17,7 in		

#### 24123 AVANTI Bench



Product weight thermo ash	21,7 kg // 47,8 lbs	Width	48 cm // 18,9 in	Seat width	192 cm // 75,6 in	Slats used	22 pcs
Product weight pine	19 kg // 41,9 lbs	Length	199,5 cm // 78,5 in	Seat depth	40 cm // 15,7 in	Diameter	204,5 cm // 80,5 in
Tube size	Ø35 mm // 1,4 in	Height	45 cm // 17,7 in	Seat height	45 // 17,7 in		



# 86

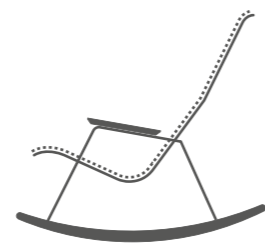
## CLICK

### OUTDOOR DINING & LOUNGE

CLICK is a collection of outdoor chairs made of intelligently designed plastic lamellas combined with powder coated steel and beautiful bamboo parts.

The lamellas, made from UV protected plastic, can withstand most weather conditions, and minimize maintenance. The CLICK collection is designed with comfort in mind and shaped to provide excellent cushion-free seating.

Designed by Henrik Pedersen



2 year warranty



uv protected



weather resistant



EN581 for dining chair





# 88

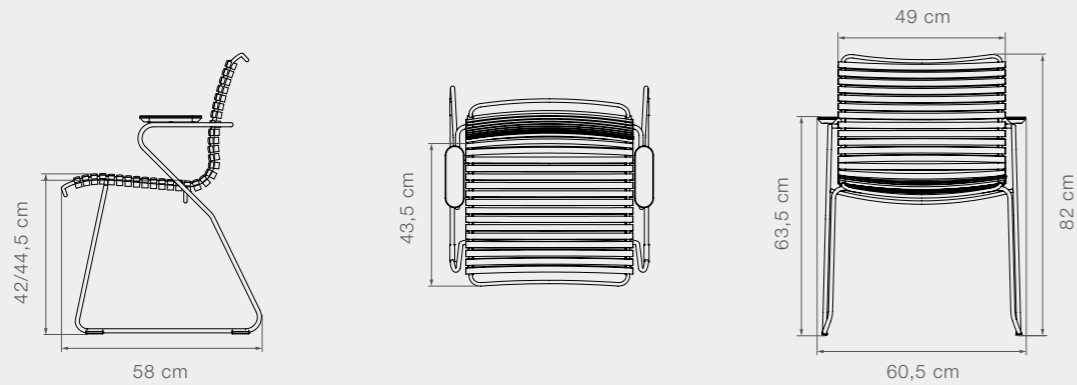
DESCRIPTION

## CLICK

### DINING & LOUNGE SPECIFICATIONS

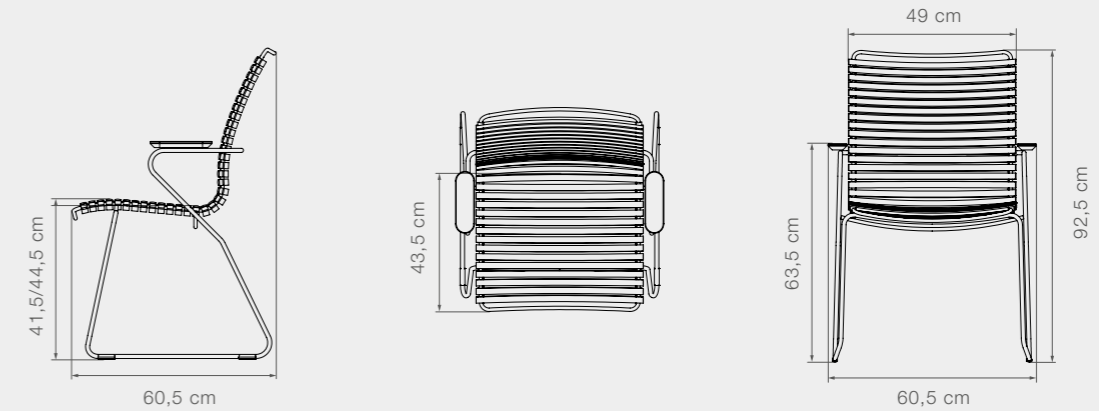
Plastic lamellas  
Powder coated grey steel frame  
Bamboo armrest  
Maintenance: Oil / Repair lacquer

**10801 CLICK** Dining chair



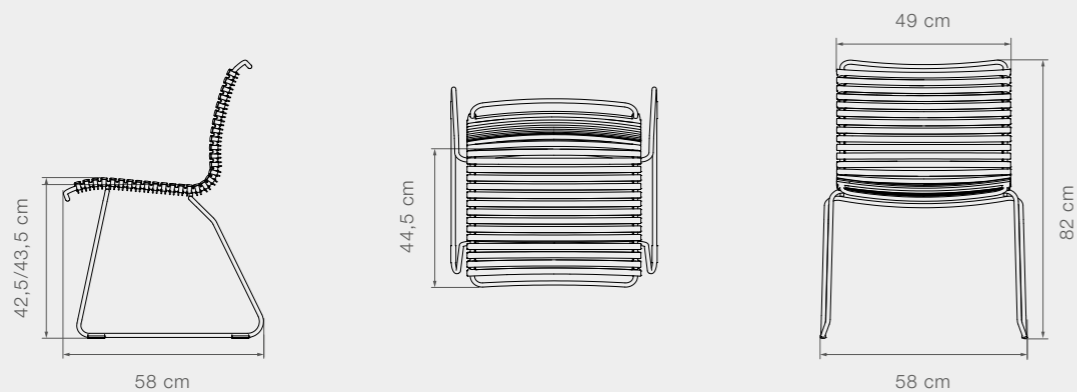
Product weight	7,7 kg // 17 lbs	Width	60,5 cm // 23,8 in	Seat width	49 cm // 19,3 in	Armrest height	63,5 cm // 25 in
Lamella size	Ø10 mm // 0,4 in	Depth	58 cm // 22,8 in	Seat depth	43,5 cm // 17,1 in	Diameter	78 cm // 30,7 in
Lamella used	30 pcs	Height	82 cm // 32,3 in	Seat height	42,5/43,5 cm // 16,7/17,1 in	Stackable max	6 chairs

**10812 CLICK** Dining chair tall back



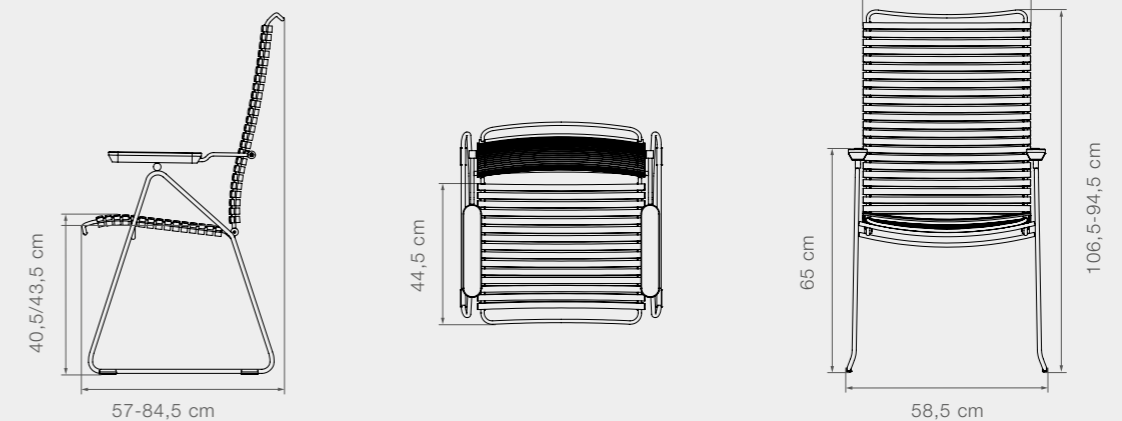
Product weight	8 kg // 17,6 lbs	Width	60,5 cm // 23,8 in	Seat width	49 cm // 19,3 in	Armrest height	63,5 cm // 25 in
Lamella size	Ø10 mm // 0,4 in	Depth	60,5 cm // 23,8 in	Seat depth	43,5 cm // 17,1 in	Diameter	78 cm // 30,7 in
Lamella used	34 pcs	Height	92,5 cm // 36,4 in	Seat height	41,5/44,5 cm // 16,3/17,5 in	Stackable max	6 chairs

**10814 CLICK** Dining chair without armrest



Product weight	7,3 kg // 16,1 lbs	Width	58 cm // 22,8 in	Seat width	49 cm // 19,3 in	Diameter	78 cm // 30,7 in
Lamella size	Ø12 mm // 0,5 in	Depth	58 cm // 22,8 in	Seat depth	44,5 cm // 17,5 in	Stackable max	6 chairs
Lamella used	30 pcs	Height	82 cm // 32,3 in	Seat height	42,5/43,5 cm // 16,7/17,1 in		

**10803 CLICK** Position chair



Product weight	9,3 kg // 20,5 lbs	Width	58,5 cm // 23 in	Seat width	49 cm // 19,3 in	Armrest height	65 cm // 25,6 in
Lamella size	Ø10 mm // 0,4 in	Depth	57-84,5 cm // 22,4-33,3 in	Seat depth	44,5 cm // 17,5 in	Diameter	77,5-95,5 cm // 30,5-37,6 in
Lamella used	39 pcs	Height	106,5-94,5 cm // 41,9-37,2 in	Seat height	40,5/43,5 cm // 15,9/17,1 in	Positions	7



# 90

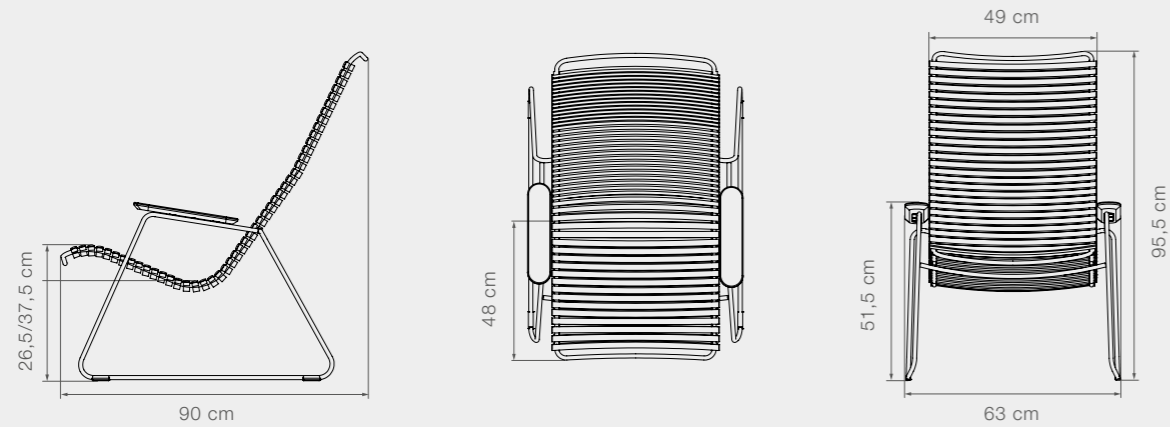
DESCRIPTION

## CLICK

### DINING & LOUNGE SPECIFICATIONS

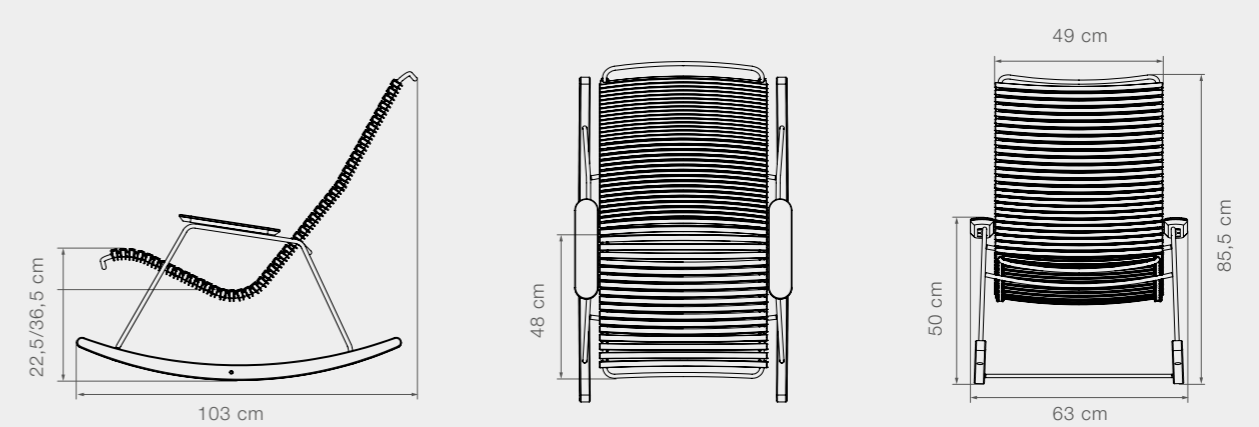
Plastic lamellas  
Powder coated grey steel frame  
Bamboo armrest and runners  
Maintenance: Oil / Repair lacquer

**10811 CLICK** Lounge chair



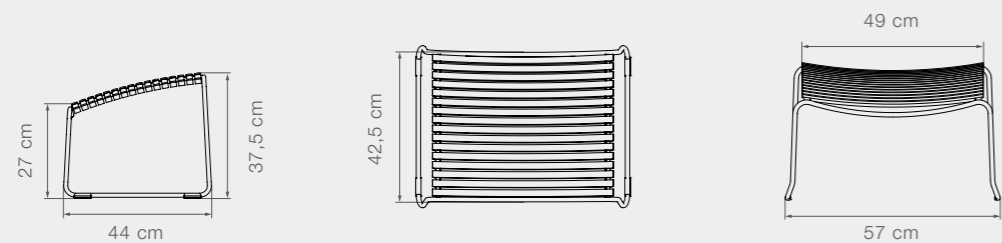
Product weight	10,8 kg // 23,8 lbs	Width	63 cm // 24,8 in	Seat width	49 cm // 19,3 in	Armrest height	51,5 cm // 20,3 in
Lamella size	Ø12 mm // 0,5 in	Depth	90 cm // 35,4 in	Seat depth	48 cm // 18,9 in	Diameter	98,5 cm // 38,8 in
Lamella used	48 pcs	Height	95,5 cm // 37,6 in	Seat height	26,5/37,5 cm // 10,4/14,8 in	Stackable max	6 chairs

**10804 CLICK** Rocking chair



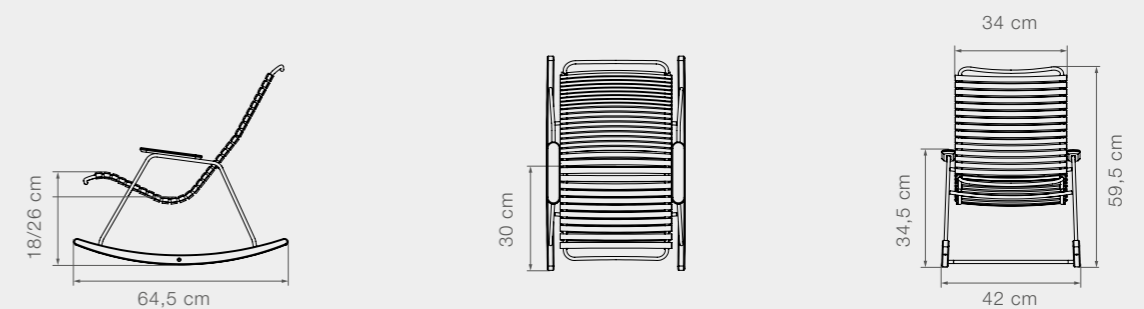
Product weight	10,7 kg // 23,6 lbs	Width	63 cm // 24,8 in	Seat width	49 cm // 19,3 in	Armrest height	50 cm // 19,7 in
Lamella size	Ø12 mm // 0,5 in	Depth	103 cm // 40,6 in	Seat depth	48 cm // 18,9 in	Diameter	115 cm // 45,3 in
Lamella used	48 pcs	Height	85,5 cm // 33,7 in	Seat height	22,5/36,5 cm // 8,9/14,4 in		

**10813 CLICK** Footrest



Product weight	4,1 kg // 9 lbs	Width	57 cm // 22,4 in	Seat width	49 cm // 19,3 in	Diameter	70,9 cm // 27,9 in
Lamella size	Ø10 mm // 0,4 in	Depth	44 cm // 17,3 in	Seat depth	42,5 cm // 16,7 in	Stackable max	6 footrests
Lamella used	16 pcs	Height	27/37,5 cm // 10,6/14,8 in	Seat height	N/A		

**10818 CLICK** Kids Rocking chair



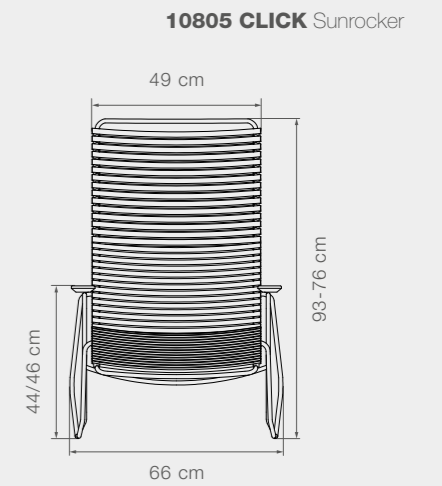
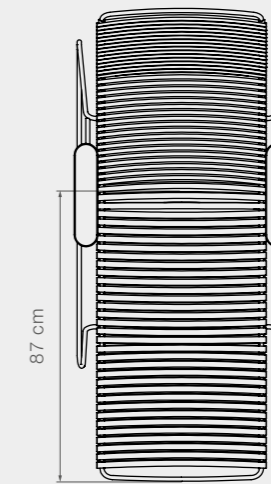
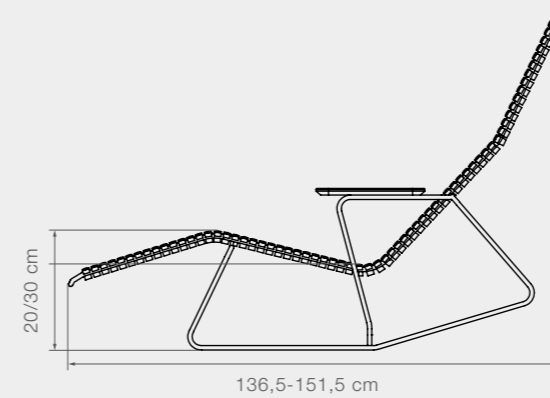
Product weight	4,8 kg // 10,6 lbs	Width	42 cm // 16,5 in	Seat width	34 cm // 13,4 in	Armrest height	34,5 cm // 13,6 in
Lamella size	Ø10 mm // 0,4 in	Depth	64,5 cm // 25,4 in	Seat depth	30 cm // 11,8 in	Diameter	77 cm // 30,3 in
Lamella used	30 pcs	Height	59,5 cm // 23,4 in	Seat height	18/26 cm // 7,1/10,2 in		



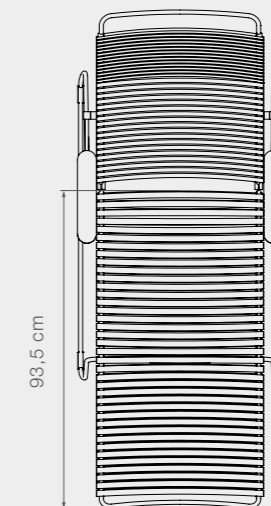
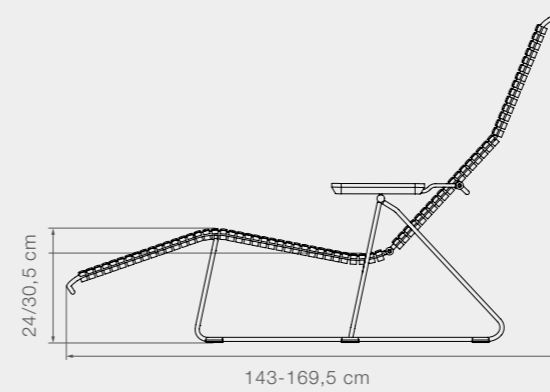
## CLICK

### DINING & LOUNGE SPECIFICATIONS

Plastic lamellas  
Powder coated grey steel frame  
Bamboo armrest  
Maintenance: Oil / Repair lacquer



Product weight	13,2 kg // 29,1 lbs	Width	66 cm // 26 in	Seat width	49 cm // 19,3 in	Armrest height	44/46 cm // 17,31/18,1 in
Lamella size	Ø12 mm // 0,5 in	Length	136,5-151,5 cm // 53,7-59,6 in	Seat depth	87 cm // 34,3 in	Diameter	155 cm // 61 in
Lamella used	68 pcs	Height	93-76 cm // 36,6-29,9 in	Seat height	20/30 cm // 7,9/11,8 in		



Product weight	13,9 kg // 30,6 lbs	Width	60,5 cm // 23,8 in	Seat width	49 cm // 19,3 in	Armrest height	46,5-48,5 cm // 18,3-19,1 in
Lamella size	Ø12 mm // 0,5 in	Depth	143-169,5 cm // 56,3-66,7 in	Seat depth	93,5 cm // 36,8 in	Positions	7
Lamella used	68 pcs	Height	96-58 cm // 37,8-22,8 in	Seat height	24/30,5 cm // 9,4/12 in		



## PAON

### OUTDOOR DINING & LOUNGE

A collection of furniture in powder coated steel combined with beautiful bamboo seats.

PAON is French for Peacock, and this bird is the inspiration behind the design of the PAON collection – have a look at the back, and you will notice.

PAON is light Scandinavian in its design with a touch of Victorian romance. The PAON collection is blessed with a seating comfort you would not expect from a furniture made of steel.

Designed by Henrik Pedersen



2 year warranty



uv protected



weather resistant



EN581



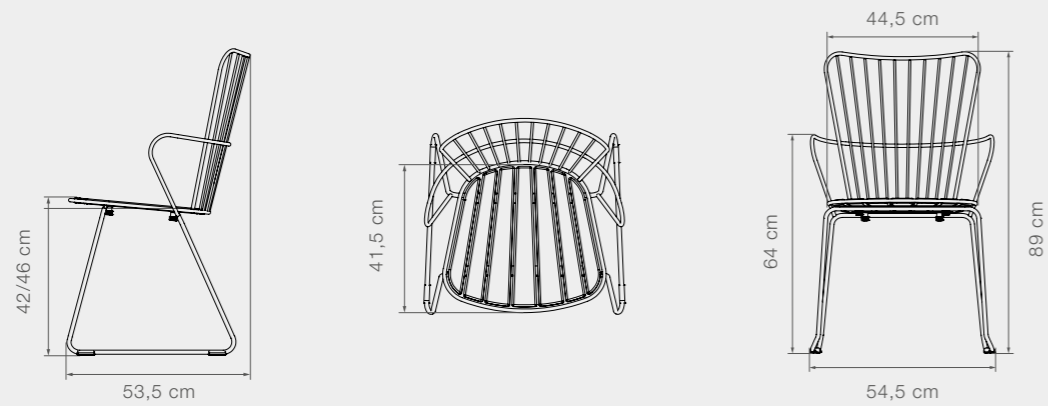


## PAON

### DINING & LOUNGE SPECIFICATIONS

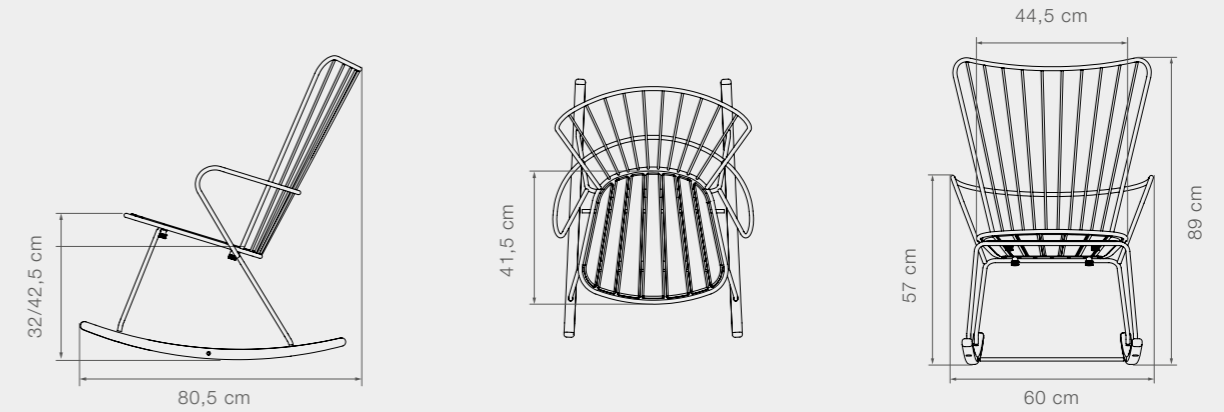
Powder coated steel frame  
Bamboo seat and runners  
Maintenance: Oil / Repair lacquer

**12801 PAON** Dining chair



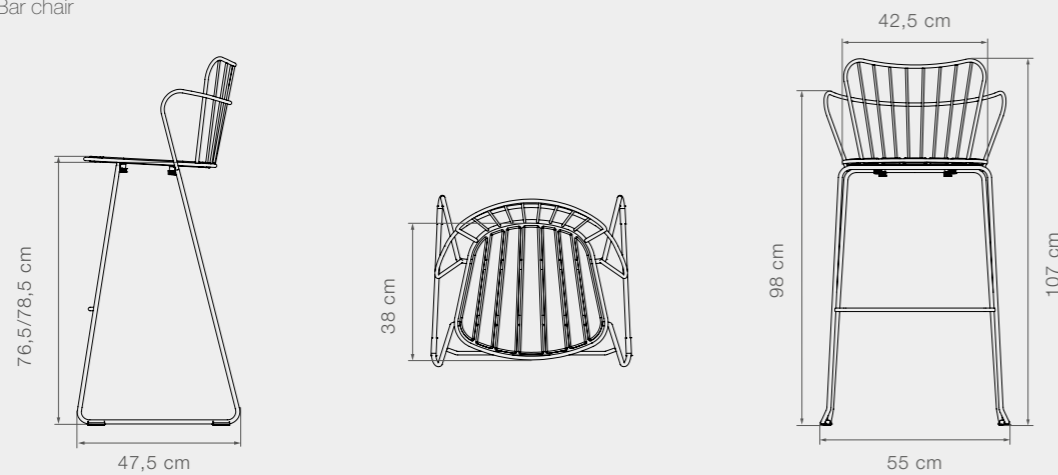
Product weight	8,2 kg // 18,1 lbs	Width	54,5 cm // 21,5 in	Seat width	44,5 cm // 17,5 in	Armrest height	64 cm // 25,2 in
Tube size	Ø6/10/12 mm // 0,2/0,4/0,5 in	Depth	53,5 cm // 21,1 in	Seat depth	41,5 cm // 16,3 in	Diameter	70,5 cm // 27,8 in
Slats used	7 pcs	Height	89 cm // 35 in	Seat height	42/46 cm // 16,5/18,1 in	Stackable max	10 chairs

**12803 PAON** Rocking chair



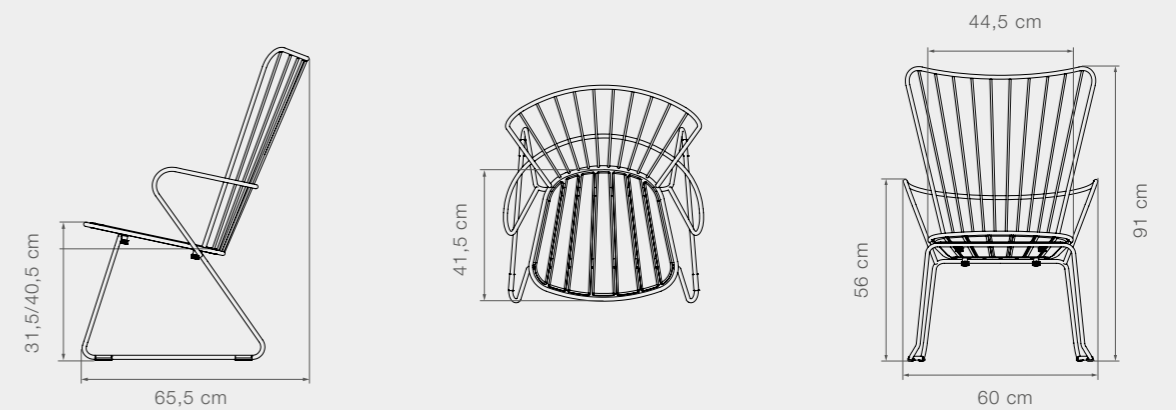
Product weight	10,4 kg // 22,9 lbs	Width	60 cm // 23,6 in	Seat width	44,5 cm // 17,5 in	Armrest height	57 cm // 22,4 in
Tube size	Ø6/12 mm // 0,2/0,5 in	Depth	80,5 cm // 31,7 in	Seat depth	41,5 cm // 16,3 in	Diameter	91,5 cm // 36 in
Slats used	7 pcs	Height	89 cm // 35 in	Seat height	32/42,5 cm // 12,6/16,7 in	Stackable max	

**12805 PAON** Bar chair



Product weight	8,7 kg // 41,2 lbs	Width	55 cm // 21,7 in	Seat width	42,5 cm // 16,7 in	Armrest height	98 cm // 38,6 in
Tube size	Ø6/10/12 mm // 0,2/0,4/0,5 in	Depth	47,5 cm // 18,7 in	Seat depth	38 cm // 15 in	Diameter	69,5 cm // 27,4 in
Slats used	7 pcs	Height	107 cm // 42,1 in	Seat height	76,5/78,5 cm // 30,1/30,9 in	Stackable max	10 chairs

**12802 PAON** Lounge chair



Product weight	10 kg // 22,1 lbs	Width	60 cm // 23,6 in	Seat width	44,5 cm // 17,5 in	Armrest height	56 cm // 22 in
Tube size	Ø6/12 mm // 0,2/0,5 in	Depth	65,5 cm // 25,8 in	Seat depth	41,5 cm // 16,3 in	Diameter	79 cm // 31,1 in
Slats used	7 pcs	Height	91 cm // 35,8 in	Seat height	31,5/40,5 cm // 12,4/15,9 in	Stackable max	6 chairs



# 98

DESCRIPTION

## PAON

DINING & LOUNGE  
SPECIFICATIONS

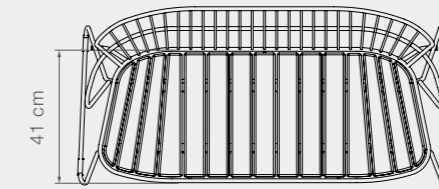
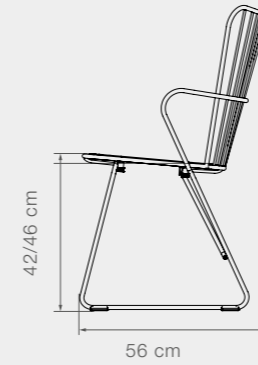
Powder coated steel frame

Bamboo seat

Maintenance: Oil / Repair lacquer



12804 PAON Bench



Product weight	18,3 kg // 40,3 lbs	Width	113 cm // 44,5 in	Seat width	103 cm // 40,6 in	Armrest height	64,5 cm // 25,4 in
Tube size	Ø6/12 mm // 0,2/0,5 in	Depth	56 cm // 22 in	Seat depth	41 cm // 16,1 in	Diameter	122 cm // 48 in
Slats used	15 pcs	Height	89 cm // 35 in	Seat height	42/46 cm // 16,5/18,1 in		



# 100

MyTrash  
**RECLIPS**

## OUTDOOR DINING & LOUNGE

ReCLIPS is a collection of chairs with wide lamellas clipped onto a powder coated aluminum frame.

The lamellas are made from Danish household plastic waste and produced in Denmark. The plastic for the ReCLIPS collection contains 97% household plastic waste and 3% color pigment.

The expertise behind recycling plastic from households for furniture production is developed in Denmark. With ReCLIPS, you are essentially witnessing the result of mixing Danish design and Danish innovation, converting this new thinking and material into a chair.

ReCLIPS Dining, Rocking, and Lounge chairs come with the choice of aluminum or bamboo armrests. The aluminum frame, combined with the UV protected plastic lamellas, ensure that maintenance is kept to a minimum.

Designed by Henrik Pedersen



5 year warranty



uv protected



weather resistant



EN581



recycled plastic





# 102

DESCRIPTION

**MyTrash**  
**RECLIPS**

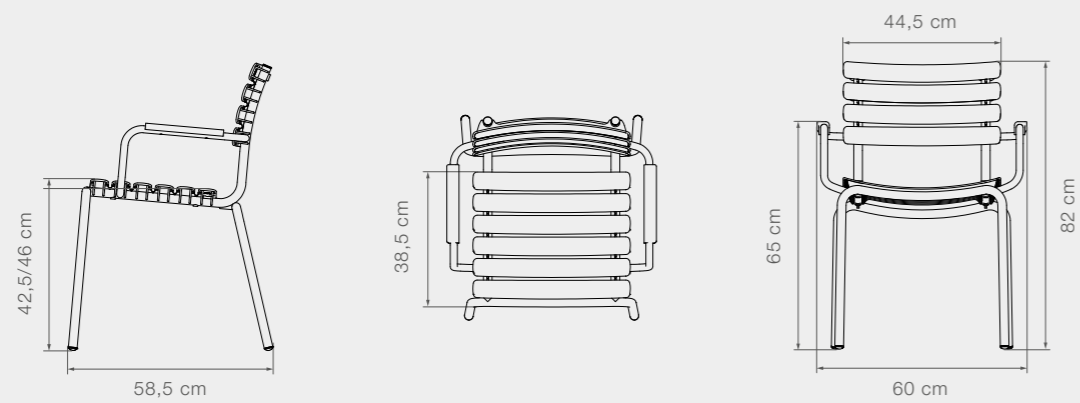
DINING & LOUNGE  
SPECIFICATIONS

Lamellas made from Danish household plastic waste  
Powder coated aluminum frame

Bamboo or powder coated aluminum armrest

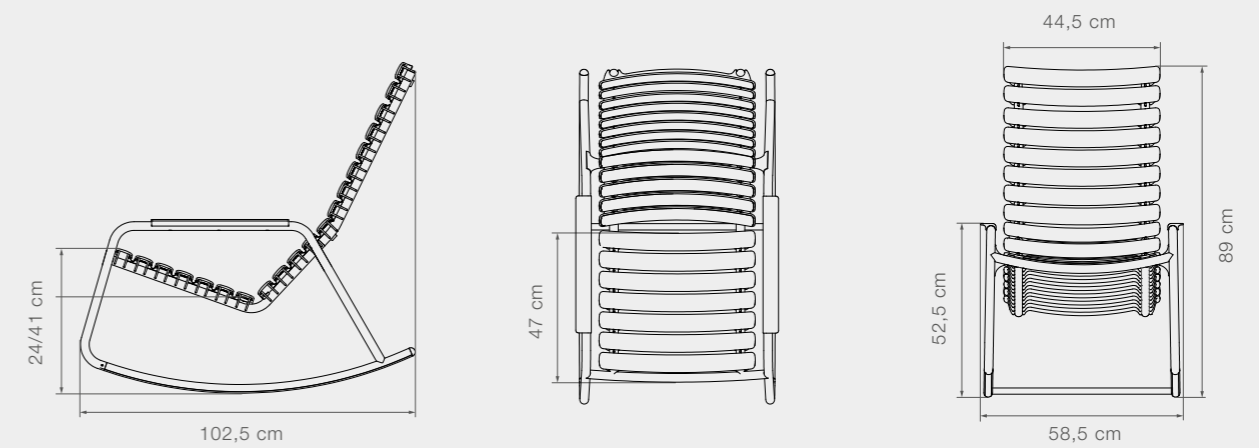
Maintenance: Oil / Repair lacquer

**22302 RECLIPS** Dining chair



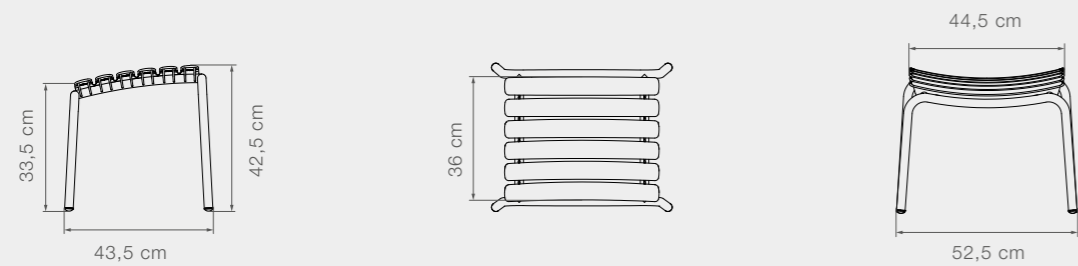
Product weight	3,9 kg // 8,6 lbs	Width	60 cm // 23,6 in	Seat width	44,5 cm // 17,5 in	Armrest height	65 cm // 25,6 in
Lamella size	25 mm // 1 in	Depth	58,5 cm // 23 in	Seat depth	38,5 cm // 15,2 in	Diameter	76,5 cm // 30,1 in
Lamella used	10 pcs	Height	82 cm // 32,3 in	Seat height	42,5/46 cm // 16,7/18,1 in	Stackable max	10 chairs

**22303 RECLIPS** Rocking chair



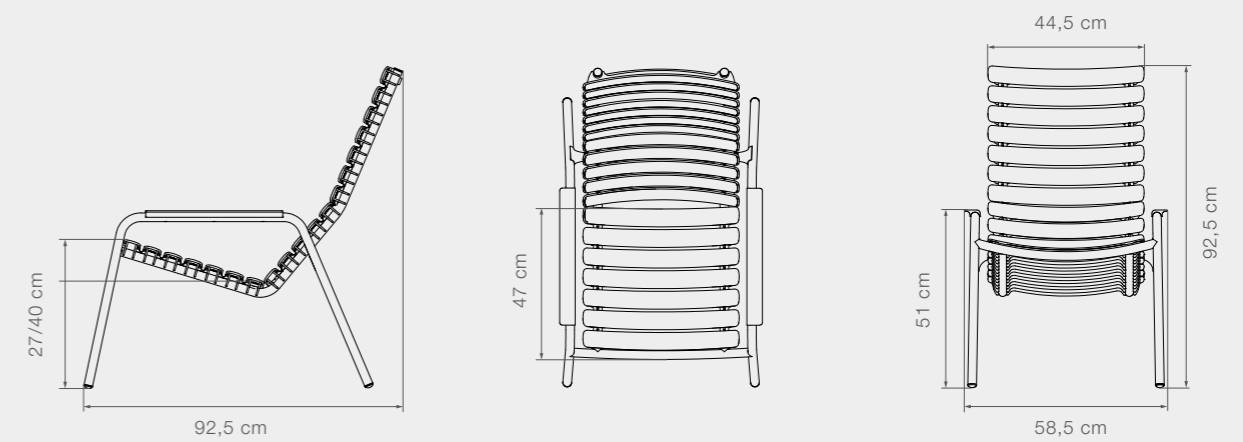
Product weight	8 kg // 17,6 lbs	Width	58,5 cm // 23 in	Seat width	44,5 cm // 17,5 in	Armrest height	52,5 cm // 20,7 in
Lamella size	Ø25 mm // 1 in	Depth	102,5 cm // 40,4 in	Seat depth	47 cm // 18,5 in	Diameter	110,7 cm // 43,6 in
Lamella used	20 pcs	Height	89 cm // 35 in	Seat height	24/41 cm // 9,5/16,1 in	Stackable max	10 chairs

**22308 RECLIPS** Footrest



Product weight	2,1 kg // 4,6 lbs	Width	52,5 cm // 20,7 in	Seat width	44,5 cm // 17,5 in	Diameter	67 cm // 26,4 in
Lamella size	Ø25 mm // 1 in	Depth	43,5 cm // 17,1 in	Seat depth	36 cm // 14,2 in		
Lamella used	6 pcs	Height	33,5/42,5 cm // 13,2/16,7 in	Seat height	N/A		

**22306 RECLIPS** Lounge chair



Product weight	6,5 kg // 14,3 lbs	Width	58,5 cm // 23 in	Seat width	44,5 cm // 17,5 in	Armrest height	51 cm // 20,1 in
Lamella size	Ø25 mm // 1 in	Depth	92,5 cm // 36,4 in	Seat depth	47 cm // 18,5 in	Diameter	103,1 cm // 40,6 in
Lamella used	19 pcs	Height	92,5 cm // 36,4 in	Seat height	27/40 cm // 10,6/15,7 in	Stackable max	10 chairs



# 104

DESCRIPTION

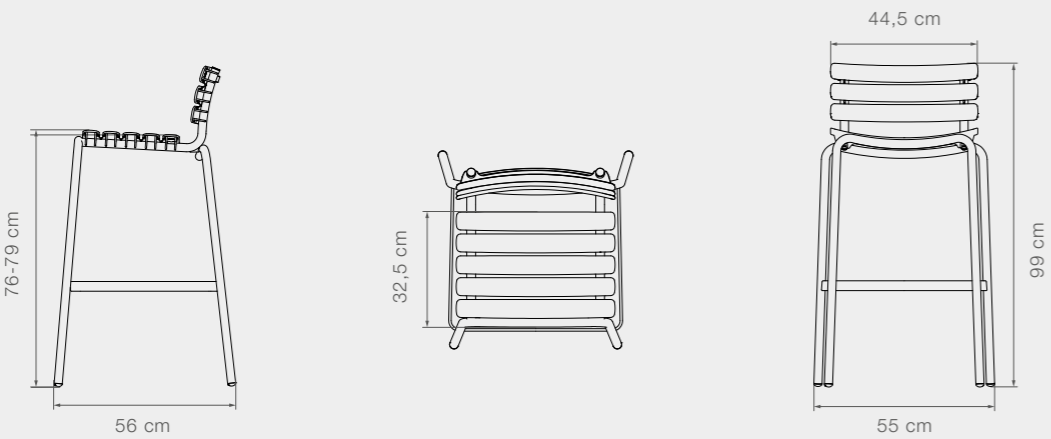
**MyTrash**  
**RECLIPS**

DINING & LOUNGE  
SPECIFICATIONS

Lamellas made from Danish household plastic waste  
Powder coated aluminum frame

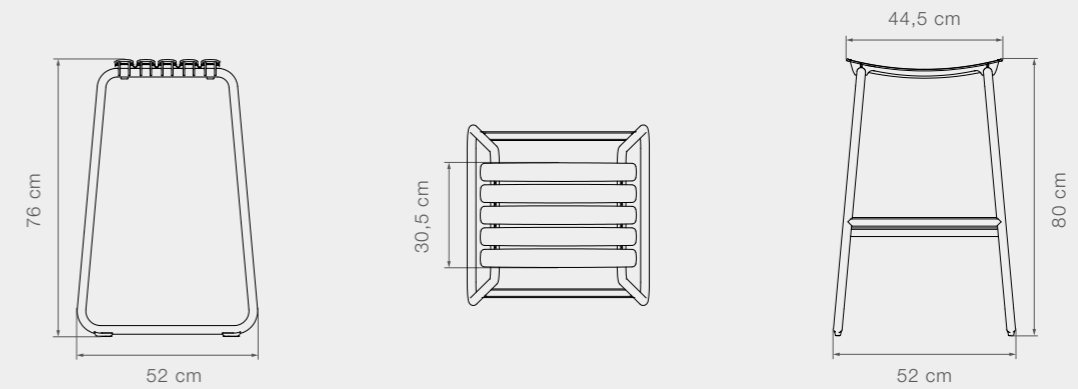
Maintenance: Repair lacquer

**22305 RECLIPS** Bar chair



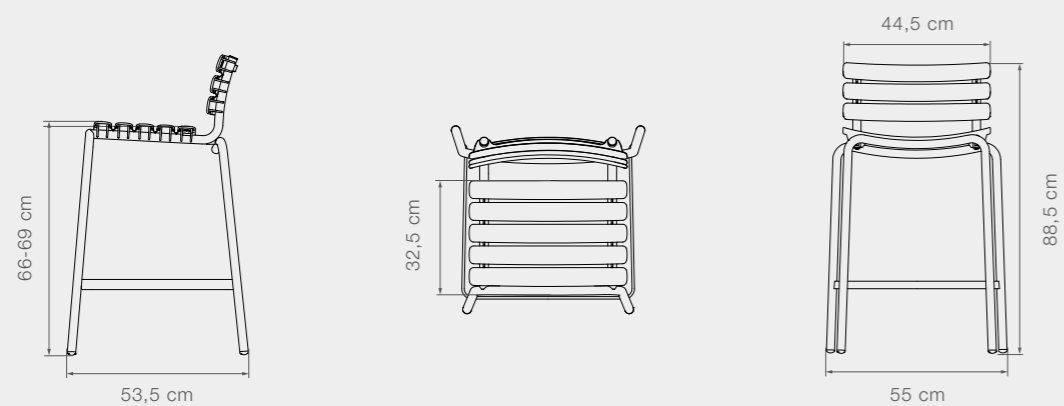
Product weight	3,7 kg // 8,2 lbs	Width	55 cm // 21,7 in	Seat width	44,5 cm // 17,5 in	Diameter	75,5 cm // 29,7 in
Lamella size	Ø25 mm // 1 in	Depth	56 cm // 22 in	Seat depth	32,5 cm // 12,8 in	Stackable max	10 chairs
Lamella used	8 pcs	Height	99 cm // 39 in	Seat height	76-79 cm // 29,9-31,1 in		

**22307 RECLIPS** Bar stool



Product weight	3,2 kg // 7,1 lbs	Width	52 cm // 20,5 in	Seat width	44,5 cm // 17,5 in	Diameter	72,5 cm // 28,5 in
Lamella size	Ø25 mm // 1 in	Depth	52 cm // 20,5 in	Seat depth	30,5 cm // 12 in	Stackable max	5 chairs
Lamella used	5 pcs	Height	80 cm // 31,5 in	Seat height	76 cm // 29,9 in		

**22309 RECLIPS** Counter chair



Product weight	3,5 kg // 7,7 lbs	Width	54,5 cm // 21,5 in	Seat width	44,5 cm // 17,5 in	Armrest height	N/A
Lamella size	Ø25 mm // 1 in	Depth	53,5 cm // 21,1 in	Seat depth	32,5 cm // 12,8 in	Diameter	N/A
Lamella used	8 pcs	Height	88,5 cm // 34,8 in	Seat height	66-69 cm // 26-27,2 in	Stackable max	10 chairs



# 106

MyTrash  
**NAMI**

OUTDOOR  
DINING & LOUNGE

NAMI Collection consists of two dining chairs, a lounge chair and a café table.

The shell and tabletop are made from Danish household plastic waste and produced in Denmark.

The elegant curves in the shell are designed to resemble a wave washing over a beach. NAMI means wave and emphasizes the organic expression found in these stylish garden chairs.







The design is based on the forces and lines of nature and finds its natural place outdoors exposed to wind and weather.

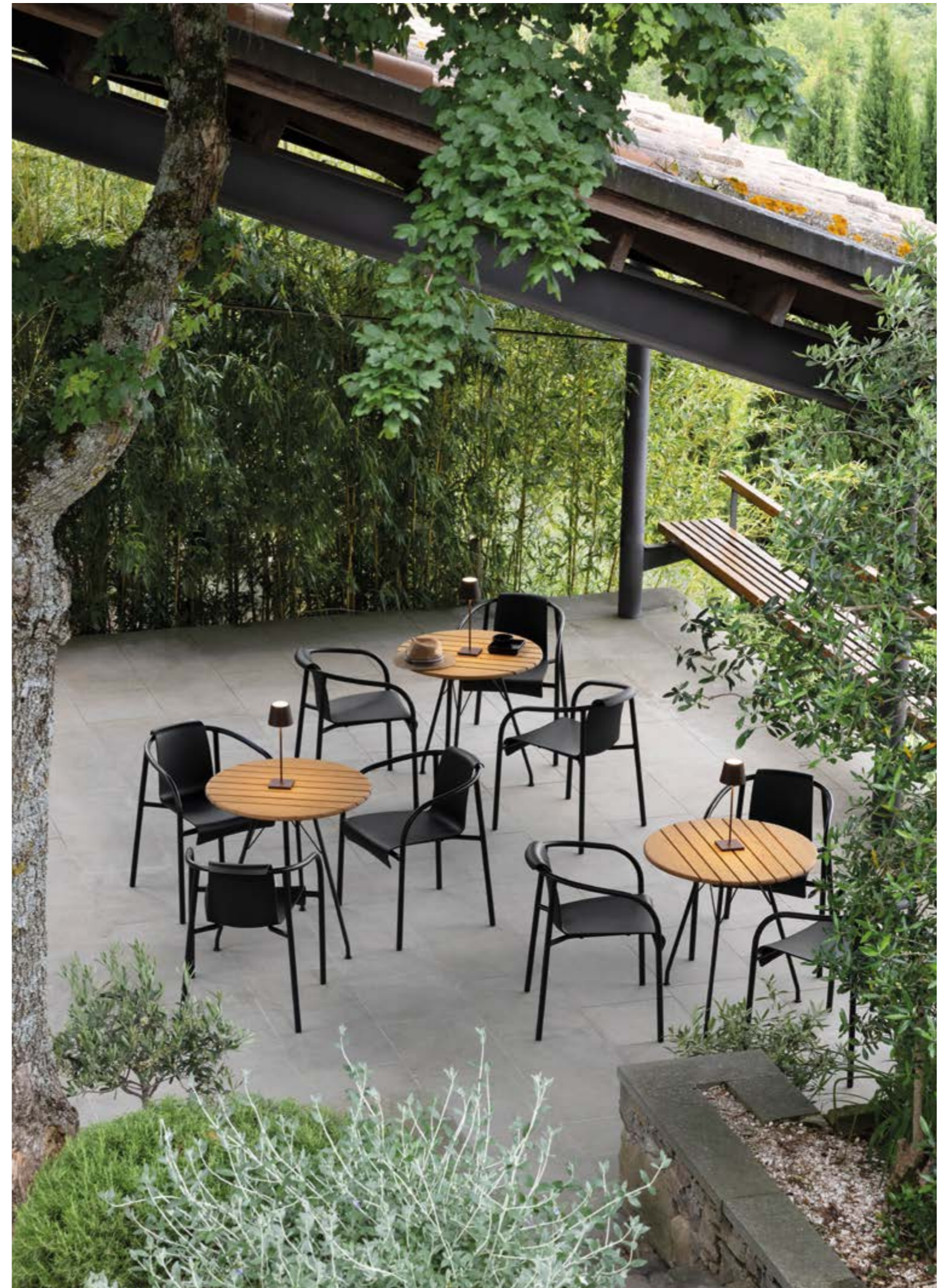
The beautiful, molded NAMI shell and tabletop contains 97% Danish household plastic waste and 3% color pigment, and the frame is powder coated steel.

NAMI chairs are EU Ecolabel certified.

Designed by Hans Thyge & Co.



-  5 year warranty
-  uv protected
-  weather resistant
-  EN581 for all chairs
-  recycled plastic
-  EU Ecolabel





# 108

DESCRIPTION

MyTrash  
**NAMI**

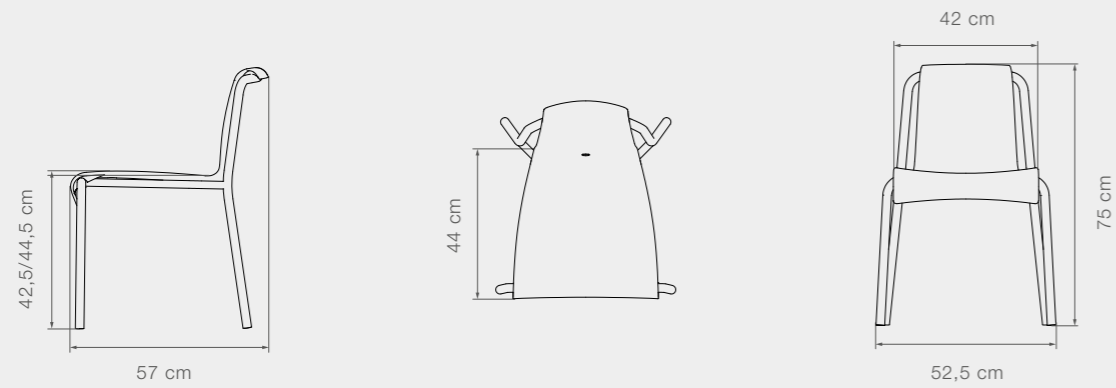
## DINING & LOUNGE SPECIFICATIONS

Shell and tabletop made from Danish household plastic waste

Powder coated steel frame

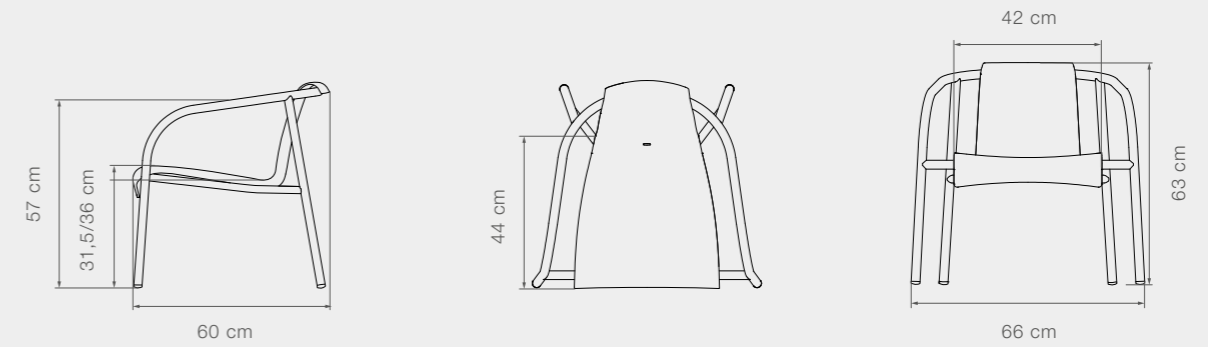
Maintenance: Repair lacquer

**23814 NAMI** Dining chair



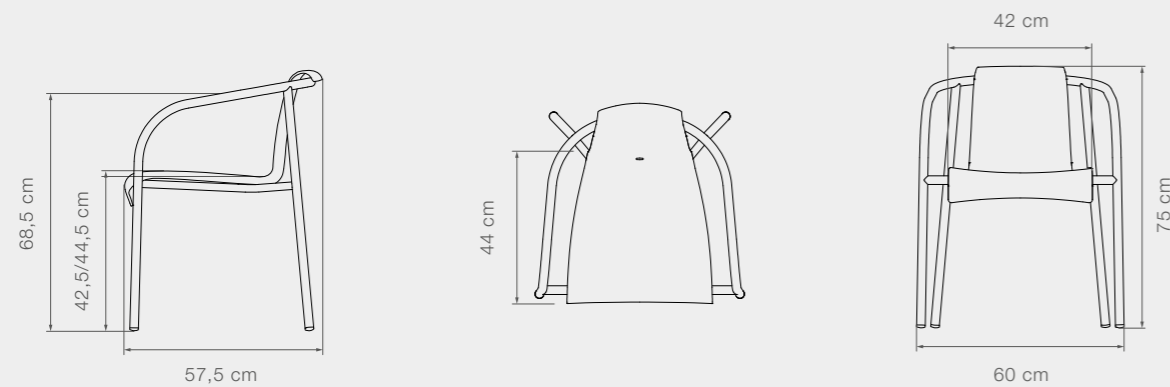
Product weight	5,8 kg // 12,8 lbs	Width	52,5 cm // 20,7 in	Seat width	42 cm // 16,5 in	Armrest height	N/A
Tube size	Ø25 mm // 1 in	Depth	57 cm // 22,4 in	Seat depth	44 cm // 17,3 in	Diameter	71 cm // 27,9 in
		Height	75 cm // 29,5 in	Seat height	42,5/44,5 cm // 16,7/17,5 in	Stackable max	10 chairs

**23811 NAMI** Lounge chair



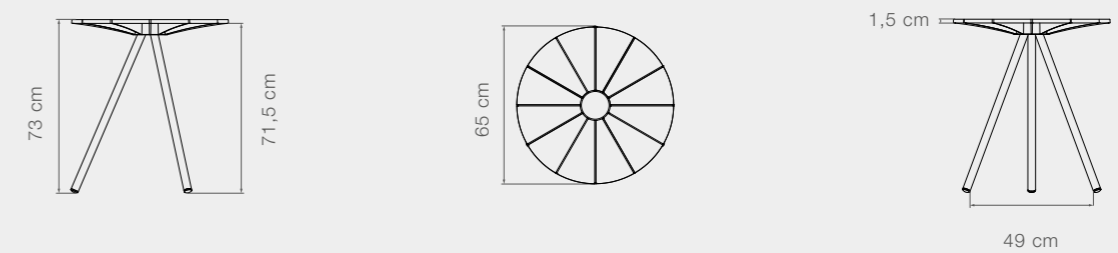
Product weight	6,5 kg // 14,3 lbs	Width	66 cm // 26 in	Seat width	42 cm // 16,5 in	Armrest height	57 cm // 22,4 in
Tube size	Ø25 mm // 1 in	Depth	60 cm // 23,6 in	Seat depth	44 cm // 17,3 in	Diameter	82 cm // 32,3 in
		Height	63 cm // 24,8 in	Seat height	31,5/36 cm // 12,4/14,2 in	Stackable max	4 chairs

**23801 NAMI** Dining chair, armrest



Product weight	6,9 kg // 15,2 lbs	Width	60 cm // 23,6 in	Seat width	42 cm // 16,5 in	Armrest height	68,5 cm // 27 in
Tube size	Ø25 mm // 1 in	Depth	57,5 cm // 22,4 in	Seat depth	44 cm // 17,3 in	Diameter	71 cm // 27,9 in
		Height	75 cm // 29,5 in	Seat height	42,5/44,5 cm // 16,7/17,5 in	Stackable max	6 chairs

**23850 NAMI** Café table



Product weight	5,7 kg // 12,6 lbs	Width	Ø65 cm // 25,6 in	Height under TT*	71,5 cm // 28,1 in	Diameter	65 cm // 25,6 in
Tube size	Ø30 mm // 1,2 in	Depth	Ø65 cm // 25,6 in	TT* thickness	1,5 cm // 0,6 in		
Slats used	N/A	Height	73 cm // 28,7 in	Space legs floor	49 cm // 19,3 in		



# 110

## TABLES

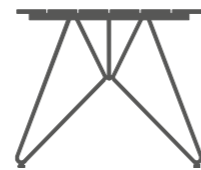
### OUTDOOR DINING & LOUNGE

Combinations of powder coated steel or aluminum, bamboo and Danish household plastic waste create a collection of well-designed outdoor dining tables which all complement HOUE dining chairs perfectly.

In the design process, a lot of effort is put into form and shape to create tables, that not only please the eye but also provide optimal stability and functionality.

Designed by Henrik Pedersen

NAMI designed by Hans Thyge & Co.



HOUE



2 year warranty



uv protected



weather resistant



EN581 for SKETCH and FOUR





# 112

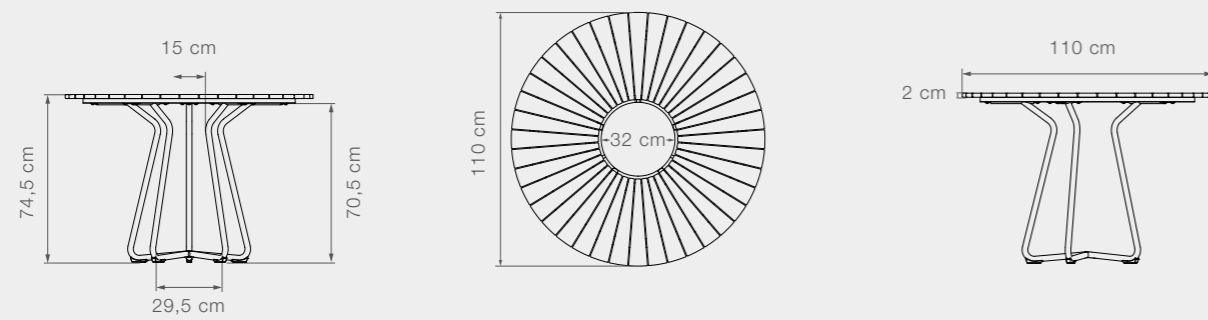
DESCRIPTION

## TABLES

### DINING SPECIFICATIONS

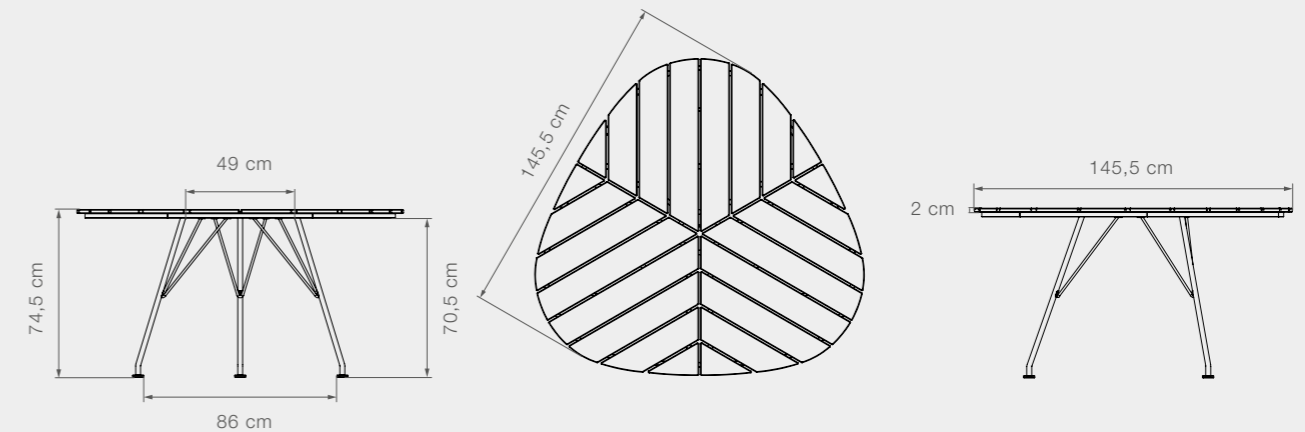
Powder coated grey or black legs/frame in steel or aluminum  
 Bamboo, aluminum or Danish household plastic waste tabletop  
 Granite  
 Maintenance: Oil / Repair lacquer  
 \*TT = TableTop

**11005 CIRCLE** Dining table



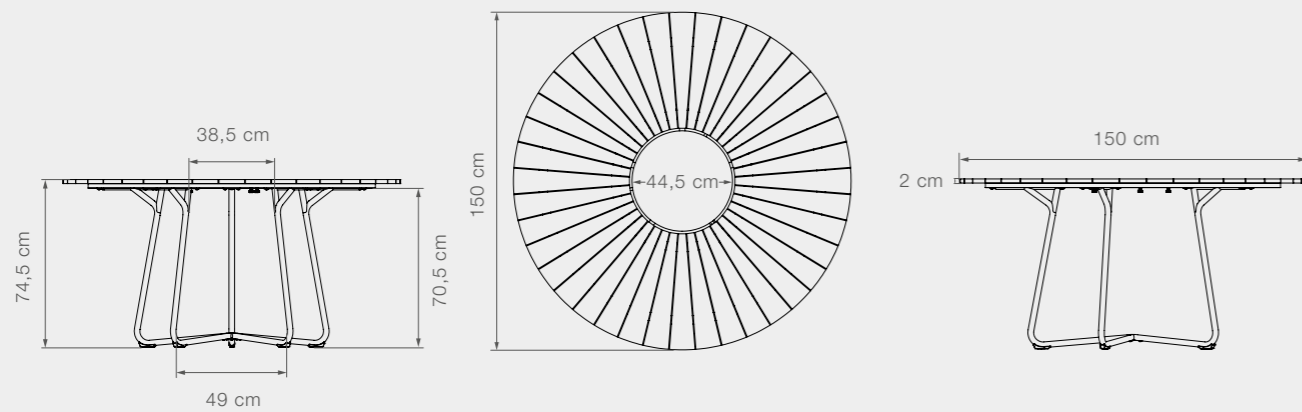
Product weight	21,5 kg // 47,4 lbs	Width	Ø110 cm // 43,3 in	Height under TT*	70,5 cm // 27,8 in	Space legs top	15 cm // 5,9 in
Tube size	Ø25 mm // 1 in	Depth	Ø110 cm // 43,3 in	TT* thickness	2 cm // 0,8 in	Granite stone	Ø32 cm // 12,6 in
Slats used	40 pcs	Height	74,5 cm // 29,3 in	Space legs floor	29,5 cm // 11,6 in	Diameter	110 cm // 43,3 in

**11601 LEAF** Dining table



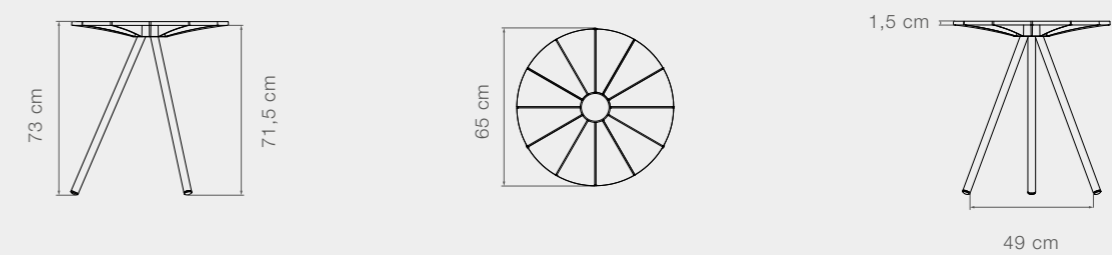
Product weight	30,4 kg // 67 lbs	Width	145,5 cm // 57,3 in	Height under TT*	70,5 cm // 27,8 in	Space legs top	49 cm // 19,3 in
Tube size	Ø10/22 mm // 0,4/0,9 in	Depth	145,5 cm // 57,3 in	TT* thickness	2 cm // 0,8 in	Diameter	155 cm // 61 in
Slats used	24 pcs	Height	74,5 cm // 29,3 in	Space legs floor	86 cm // 33,9 in		

**11006 CIRCLE** Dining table



Product weight	38,8 kg // 85,5 lbs	Width	Ø150 cm // 59,1 in	Height under TT*	70,5 cm // 27,8 in	Space legs top	38,5 cm // 15,2 in
Tube size	Ø25 mm // 1 in	Depth	Ø150 cm // 59,1 in	TT* thickness	2 cm // 0,8 in	Granite stone	Ø44,5 cm // 17,5 in
Slats used	40 pcs	Height	74,5 cm // 29,3 in	Space legs floor	49 cm // 19,3 in	Diameter	150 cm // 59,1 in

**23850 NAMI** Café table



Product weight	5,7 kg // 12,6 lbs	Width	Ø65 cm // 25,6 in	Height under TT*	71,5 cm // 28,1 in	Diameter	65 cm // 25,6 in
Tube size	Ø30 mm // 1,2 in	Depth	Ø65 cm // 25,6 in	TT* thickness	1,5 cm // 0,6 in		
Slats used	N/A	Height	73 cm // 28,7 in	Space legs floor	49 cm // 19,3 in		



# 114

DESCRIPTION

## TABLES

### DINING SPECIFICATIONS

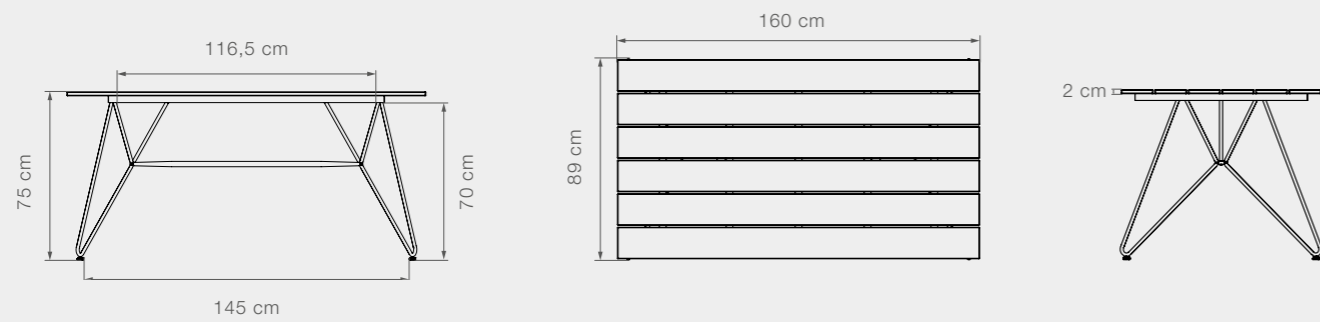
Powder coated grey or black legs/frame in steel or aluminum

Bamboo or aluminum tabletop

Maintenance: Oil / Repair lacquer

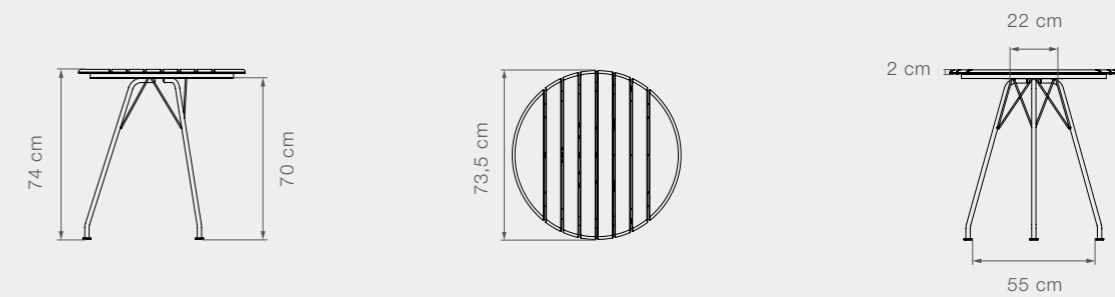
\*TT = TableTop

**10705 SKETCH** Dining table



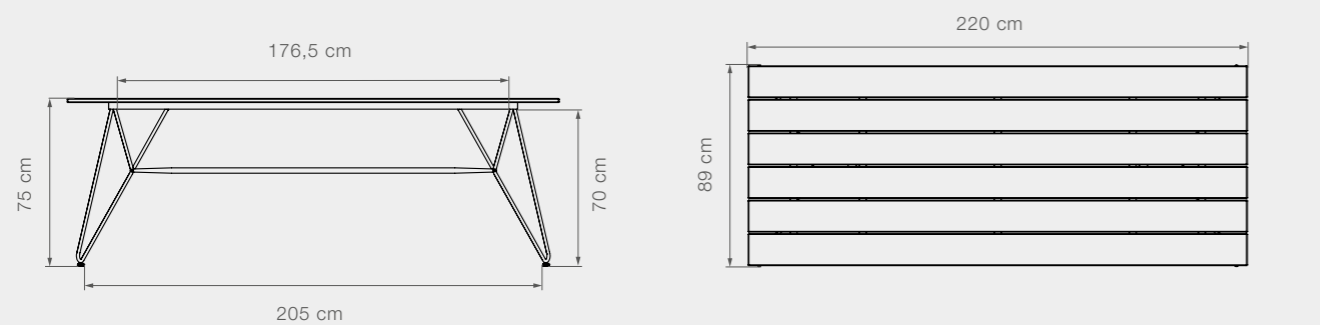
Product weight	35,5 kg // 78,3 lbs	Width	89 cm // 35 in	Height under TT*	70 cm // 27,6 in	Space legs top	116,5 cm // 45,9 in
Tube size	Ø14/24 mm // 0,6/0,9 in	Length	160 cm // 63 in	TT* thickness	2 cm // 0,8 in	Diameter	N/A
Slats used	6 pcs	Height	75 cm // 29,5 in	Space legs floor	145 cm // 57,1 in		

**12831 CIRCUM** Café table



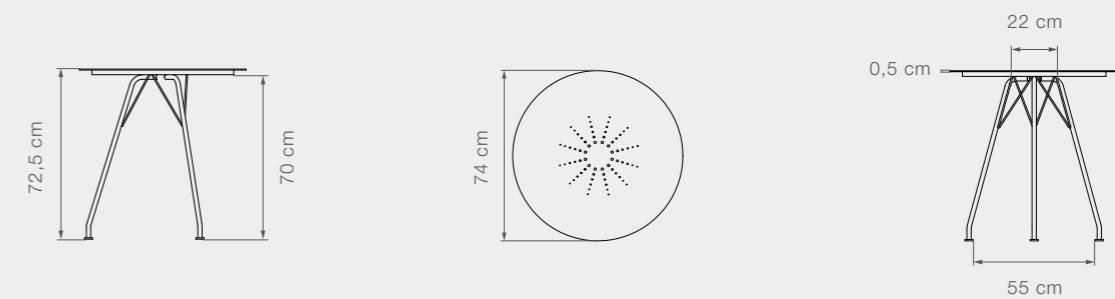
Product weight	10,5 kg // 23,2 lbs	Width	Ø73,5 cm // 28,9 in	Height under TT*	70 cm // 27,6 in	Space legs top	22 cm // 8,7 in
Tube size	Ø6/20 mm // 0,2/0,8 in	Depth	Ø73,5 cm // 28,9 in	TT* thickness	2 cm // 0,8 in	Diameter	73,5 cm // 28,9 in
Slats used	8	Height	74 cm // 29,1 in	Space legs floor	55 cm // 21,7 in		

**10716 SKETCH** Dining table



Product weight	44,8 kg // 98,8 lbs	Width	89 cm // 35 in	Height under TT*	70 cm // 27,6 in	Space legs top	176,5 cm // 69,5 in
Tube size	Ø14/24 mm // 0,6/0,9 in	Length	220 cm // 86,6 in	TT* thickness	2 cm // 0,8 in	Diameter	N/A
Slats used	6 pcs	Height	75 cm // 29,5 in	Space legs floor	205 cm // 80,7 in		

**12831 CIRCUM** Café table



Product weight	9 kg // 19,8 lbs	Width	Ø74 cm // 29,1 in	Height under TT*	70 cm // 27,6 in	Space legs top	22 cm // 8,7 in
Tube size	Ø6/19 mm // 0,2/0,7 in	Depth	Ø74 cm // 29,1 in	TT* thickness	0,5 cm // 0,2 in	Diameter	74 cm // 29,1 in
Slats used	N/A	Height	72,5 cm // 28,5 in	Space legs floor	55 cm // 21,7 in		



# 116

DESCRIPTION

## TABLES

### DINING SPECIFICATIONS

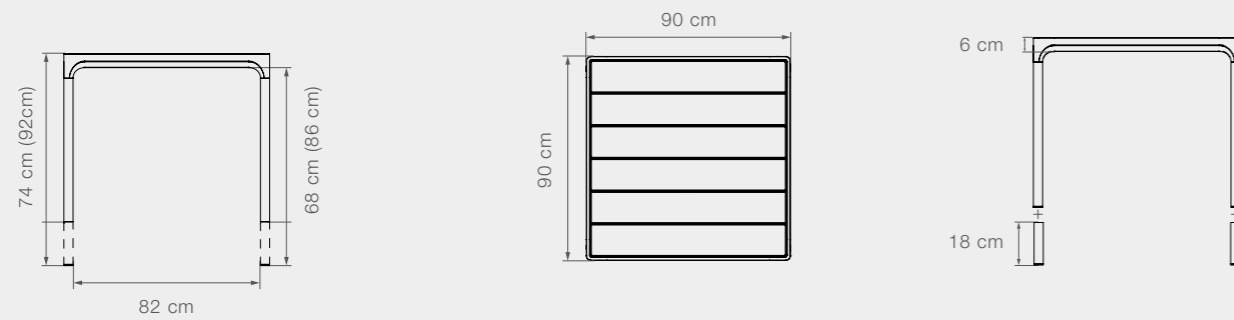
Powder coated grey or black aluminum frame

Bamboo or aluminum tabletop

Maintenance: Oil / Repair lacquer

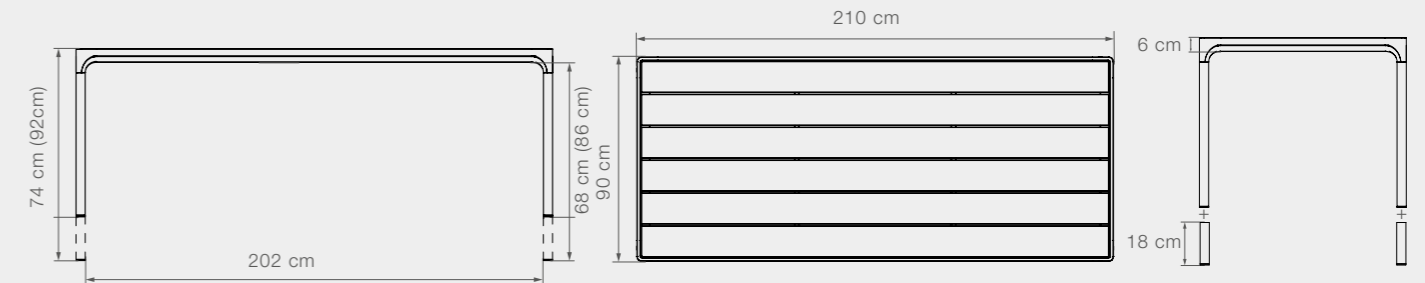
\*TT = TableTop

**12401 FOUR** Dining table (+ **12428 FOUR** Leg extension = **FOUR** Counter height table)



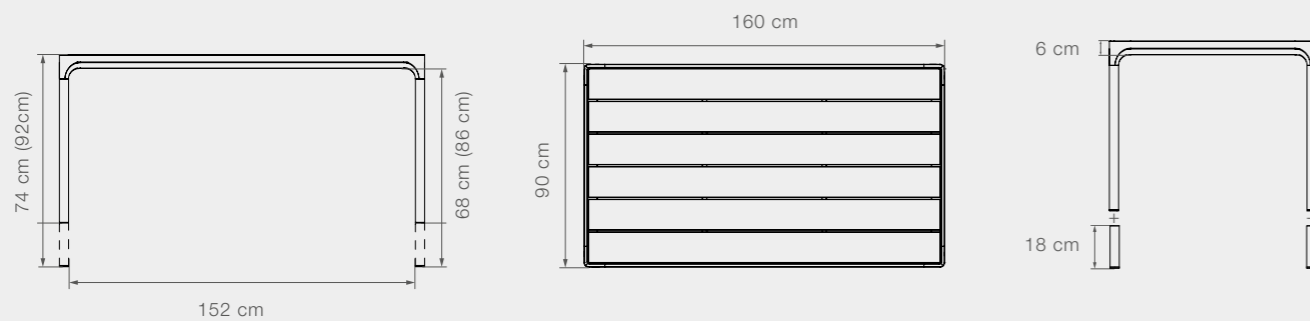
Product weight bamboo	18,8 kg // 41,5 lbs	Width	90 cm // 35,4 in	Height under TT*	68 cm // 26,8 in	Space legs top	82 cm // 32,3 in
Product weight aluminum	17,7 kg // 39 lbs	Length	90 cm // 35,4 in	Height Counter under TT*	86 cm // 33,9 in	Height extension legs	18 cm // 7,1 in
Weight extension legs	1,1 kg // 2,4 lbs	Height	74 cm // 29,1 in	TT* thickness	6 cm // 2,4 in	Slats used	6 pcs
Tube size	Ø40 mm // 1,6 in	Height Counter	92 cm // 36,2 in	Space legs floor	82 cm // 32,3 in	Diameter	125,5 cm // 49,4 in

**12403 FOUR** Dining table (+ **12428 FOUR** Leg extension = **FOUR** Counter height table)



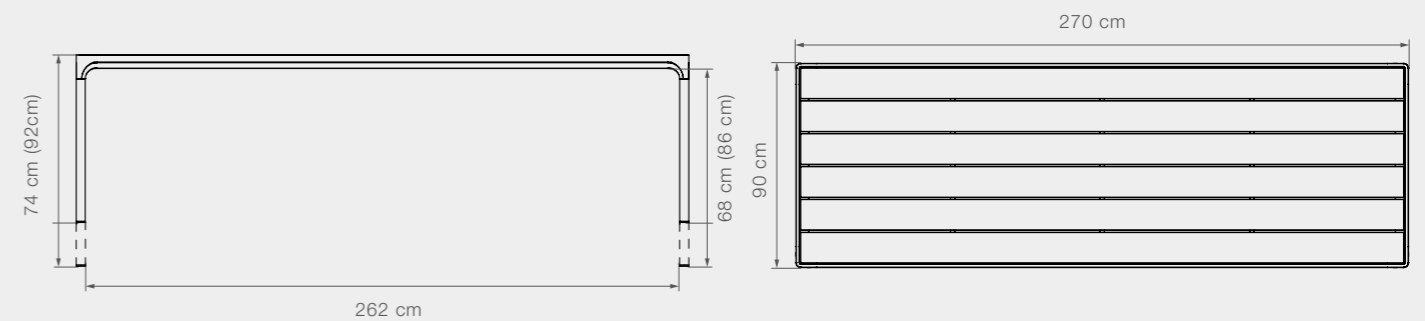
Product weight bamboo	33,5 kg // 73,9 lbs	Width	90 cm // 35,4 in	Height under TT*	68 cm // 26,8 in	Space legs top	202 cm // 79,5 in
Product weight aluminum	31,5 kg // 69,4 lbs	Length	210 cm // 82,7 in	Height Counter under TT*	86 cm // 33,9 in	Height extension legs	18 cm // 7,1 in
Weight extension legs	1,1 kg // 2,4 lbs	Height	74 cm // 29,1 in	TT* thickness	6 cm // 2,4 in	Slats used	6 pcs
Tube size	Ø40 mm // 1,6 in	Height Counter	92 cm // 36,2 in	Space legs floor	202 cm // 79,5 in	Diameter	227 cm // 89,4 in

**12402 FOUR** Dining table (+ **12428 FOUR** Leg extension = **FOUR** Counter height table)



Product weight bamboo	28,5 kg // 62,8 lbs	Width	90 cm // 35,4 in	Height under TT*	68 cm // 26,8 in	Space legs top	152 cm // 59,8 in
Product weight aluminum	26,6 kg // 58,6 lbs	Length	160 cm // 63 in	Height Counter under TT*	86 cm // 33,9 in	Height extension legs	18 cm // 7,1 in
Weight extension legs	1,1 kg // 2,4 lbs	Height	74 cm // 29,1 in	TT* thickness	6 cm // 2,4 in	Slats used	6 pcs
Tube size	Ø40 mm // 1,6 in	Height Counter	92 cm // 36,2 in	Space legs floor	152 cm // 59,8 in	Diameter	182 cm // 71,7 in

**12404 FOUR** Dining table (+ **12428 FOUR** Leg extension = **FOUR** Counter height table)



Product weight bamboo	43 kg // 94,8 lbs	Width	90 cm // 35,4 in	Height under TT*	68 cm // 26,8 in	Space legs top	262 cm // 103,1 in
Product weight aluminum	39 kg // 86 lbs	Length	270 cm // 106,3 in	Height Counter under TT*	86 cm // 33,9 in	Height extension legs	18 cm // 7,1 in
Weight extension legs	1,1 kg // 2,4 lbs	Height	74 cm // 29,1 in	TT* thickness	6 cm // 2,4 in	Slats used	6 pcs
Tube size	Ø40 mm // 1,6 in	Height Counter	92 cm // 36,2 in	Space legs floor	262 cm // 103,1 in	Diameter	283 cm // 111,4 in



# 118

DESCRIPTION

## TABLES

### DINING SPECIFICATIONS

Powder coated black aluminum frame

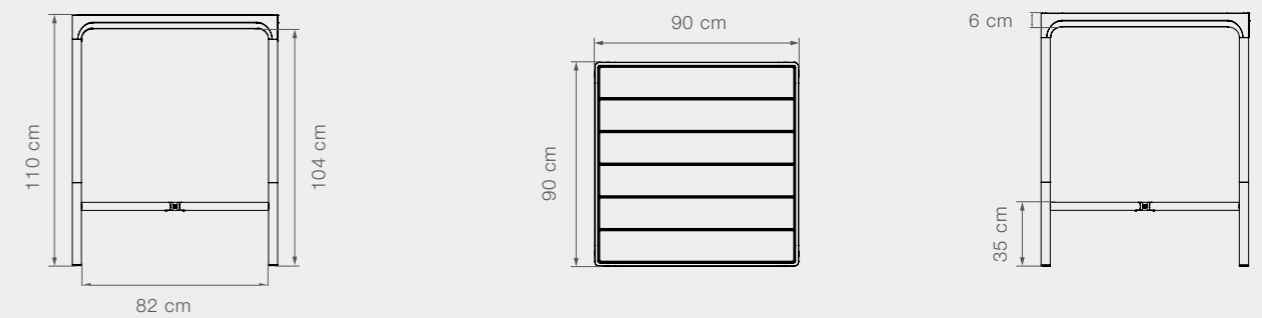
Bamboo or aluminum tabletop

Maintenance: Oil / Repair lacquer

\*TT = TableTop

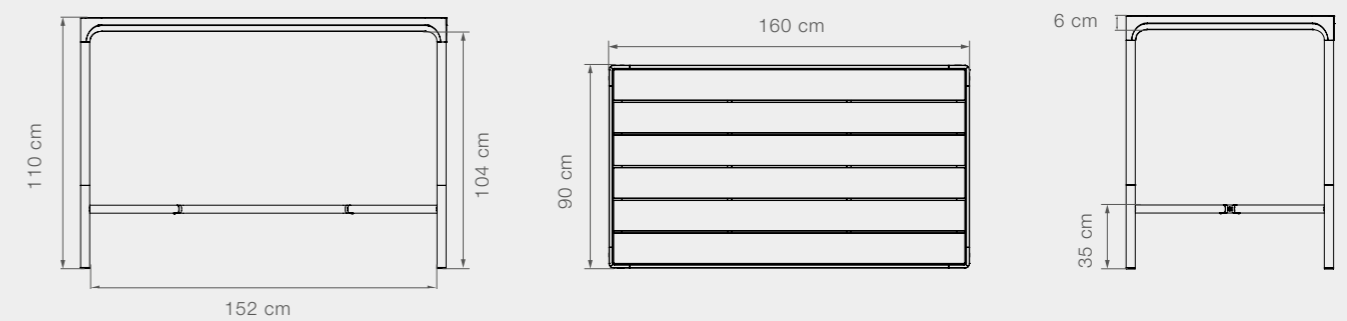


12424 FOUR Bar table



Product weight bamboo	22 kg // 48,5 lbs	Width	90 cm // 35,4 in	Height under TT*	104 cm // 40,9 in	Space legs top	82 cm // 32,3 in
Product weight aluminum	20,9 kg // 46,1 lbs	Length	90 cm // 35,4 in	TT* thickness	6 cm // 2,4 in	Bar height	35 cm // 13,8 in
Tube size	Ø40 mm // 1,6 in	Height	110 cm // 43,3 in	Space legs floor	82 cm // 32,3 in	Slats used	6 pcs

12425 FOUR Bar table



Product weight bamboo	32,7 kg // 72,1 lbs	Width	90 cm // 35,4 in	Height under TT*	104 cm // 40,9 in	Space legs top	152 cm // 59,8 in
Product weight aluminum	30,3 kg // 66,8 lbs	Length	160 cm // 63 in	TT* thickness	6 cm // 2,4 in	Bar height	35 cm // 13,8 in
Tube size	Ø40 mm // 1,6 in	Height	110 cm // 43,3 in	Space legs floor	152 cm // 59,8 in	Slats used	6 pcs



# 120

## TRAY TABLES

### OUTDOOR & INDOOR LOUNGE

#### EYELET

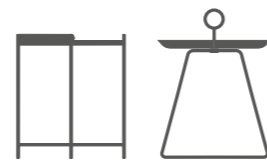
This graphically beautiful side table can be used in many ways – individually or in combination with different sizes and colors. The EYELET tables are easy to move to where they are needed – indoor as well as outdoor. The EYELET tray table has a special drainage system, which keeps the tray free from water after a rain shower. EYELET is made in powder coated aluminum with powder coated steel legs and comes in 3 different sizes.

Designed by Henrik Pedersen

#### EDGE

EDGE tray table is suitable for both indoor and outdoor use. The half ring shaped handle makes it easy to move the table between the living room and the garden, and when laid down it functions as a table edge, making sure everything stays in place. EDGE is made in powder coated steel and comes in 3 different sizes.

Designed by Roee Magdassi



2 year  
warranty



uv  
protected



weather  
resistant





# 122

DESCRIPTION

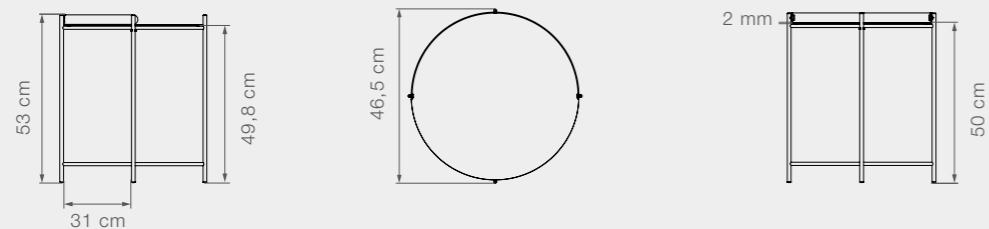
## TRAY TABLES

### LOUNGE SPECIFICATIONS

Powder coated steel frame  
 Powder coated steel tabletop  
 Maintenance: Repair lacquer

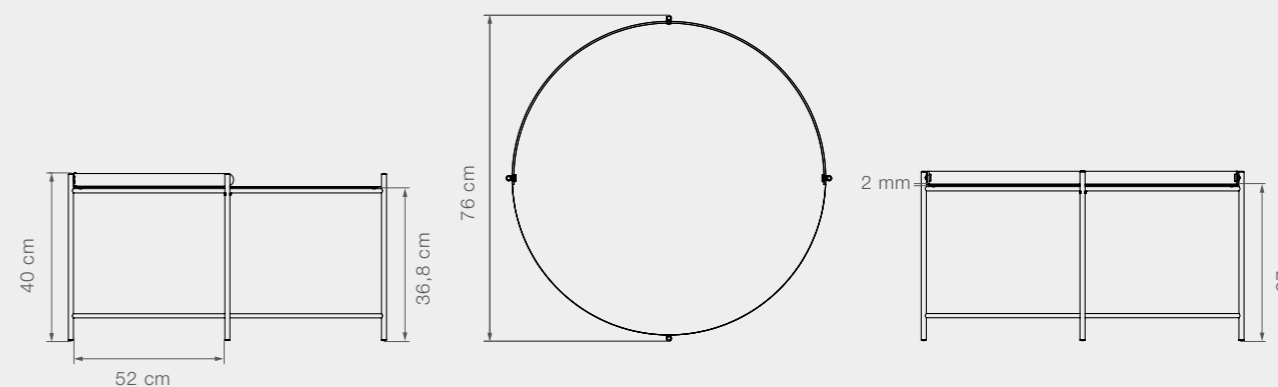
\*TT = TableTop

**10911 EDGE** Tray table



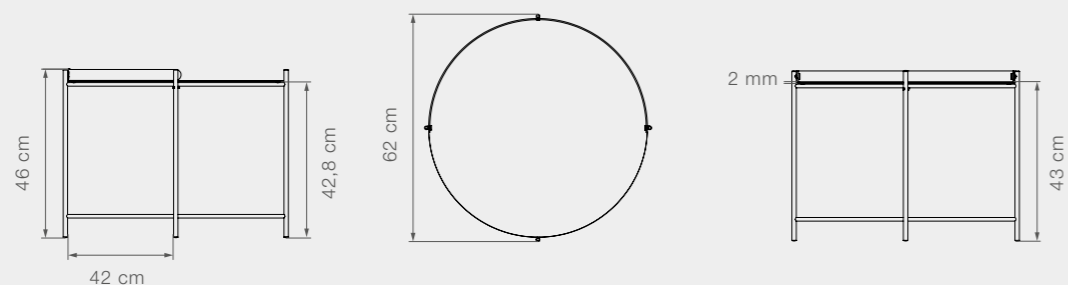
Product weight	4,3 kg // 9,5 lbs	Width	Ø46,5 cm // 18,3 in	Height under TT*	49,8 cm // 19,6 in	Space legs top	31 cm // 12,2 in
Tube size	Ø12 mm // 0,5 in	Depth	Ø46,5 cm // 18,3 in	TT* thickness	2 mm // 0,1 in	Diameter	Ø46,5 cm // 18,3 in
Slats used	N/A	Height	50/53 cm // 19,7/20,9 in	Space legs floor	31 cm // 12,2 in		

**10913 EDGE** Tray table



Product weight	11 kg // 24,3 lbs	Width	Ø76 cm // 29,9 in	Height under TT*	36,8 cm // 14,5 in	Space legs top	52 cm // 20,5 in
Tube size	Ø12 mm // 0,5 in	Depth	Ø76 cm // 29,9 in	TT* thickness	2 mm // 0,1 in	Diameter	76 cm // 29,9 in
Slats used	N/A	Height	37/40 cm // 14,6/15,7 in	Space legs floor	52 cm // 20,5 in		

**10912 EDGE** Tray table



Product weight	7,2 kg // 19,9 lbs	Width	Ø62 cm // 24,4 in	Height under TT*	42,8 cm // 16,9 in	Space legs top	42 cm // 16,5 in
Tube size	Ø12 mm // 0,5 in	Depth	Ø62 cm // 24,4 in	TT* thickness	2 mm // 0,1 in	Diameter	62 cm // 24,4 in
Slats used	N/A	Height	43/46 cm // 16,9/18,1 in	Space legs floor	42 cm // 16,5 in		



# 124

DESCRIPTION

## TRAY TABLES

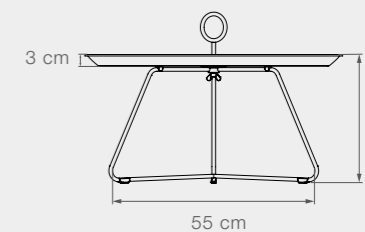
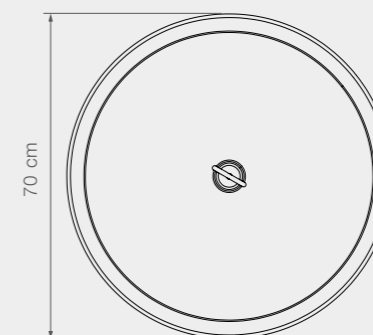
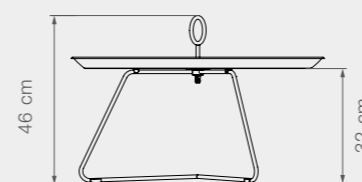
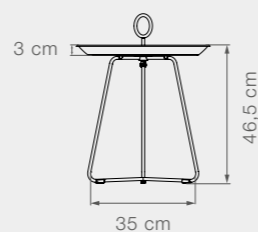
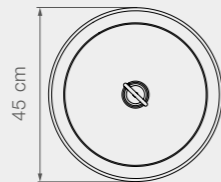
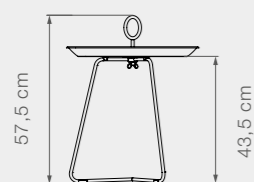
### LOUNGE SPECIFICATIONS

Powder coated steel frame  
 Powder coated aluminum tabletop  
 Maintenance: Repair lacquer

\*TT = TableTop

20901 EYELET Tray table

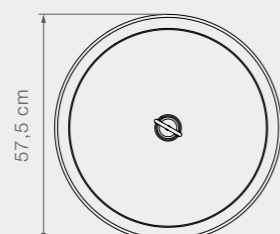
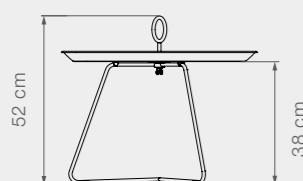
20903 EYELET Tray table



Product weight	2,3 kg // 5,1 lbs	Width	Ø45 cm // 17,7 in	Height under TT*	43,5 cm // 17,1 in	Space legs top	N/A
Tube size	Ø10 mm // 0,4 in	Depth	Ø45 cm // 17,7 in	TT* thickness	3 cm // 1,2 in	Diameter	45 cm // 17,7 in
Slats used	N/A	Height	46,5/57,5 cm // 18,3/22,6 in	Space legs floor	35 cm // 13,8 in		

Product weight	4 kg // 8,8 lbs	Width	Ø70 cm // 27,6 in	Height under TT*	32 cm // 12,6 in	Space legs top	N/A
Tube size	Ø10 mm // 0,4 in	Depth	Ø70 cm // 27,6 in	TT* thickness	3 cm // 1,2 in	Diameter	70 cm // 27,6 in
Slats used	N/A	Height	35/46 cm // 13,8/18,1 in	Space legs floor	55 cm // 21,7 in		

20902 EYELET Tray table



Product weight	2,9 kg // 6,4 lbs	Width	Ø57,5 cm // 22,6 in	Height under TT*	38 cm // 15 in	Space legs top	N/A
Tube size	Ø10 mm // 0,4 in	Depth	Ø57,5 cm // 22,6 in	TT* thickness	3 cm // 1,2 in	Diameter	57,5 cm // 22,6 in
Slats used	N/A	Height	41/52 cm // 16,1/20,5 in	Space legs floor	46 cm // 18,1 in		



# 126

## LEVEL / LEVEL2

### OUTDOOR LOUNGE

A collection of modular outdoor lounge furniture with powder coated aluminum frame, cushions made from water-repellent fabric, and bamboo side tables.

The lounge collections LEVEL / LEVEL2 are available in muted white and dark grey frames.

LEVEL comes with three different fabrics: Basic, Sunbrella Natté and Sunbrella Heritage.

LEVEL2 comes with two different fabrics: Basic and Sunbrella Heritage fabric. Read more on page 144.

The lightweight, powder coated aluminum frame combined with the soft cushions in numerous textile colors, provides comfortable lounge areas naturally creating a cozy atmosphere anywhere.

Designed by Henrik Pedersen



2 year warranty



uv protected



weather resistant



EN581





# 128

DESCRIPTION

## LEVEL / LEVEL2

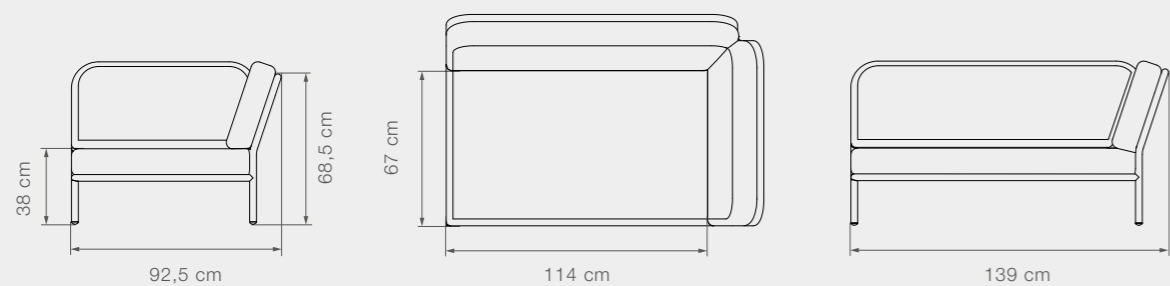
### LOUNGE SPECIFICATIONS

Powder coated muted white or grey aluminum frame

Cushions in Sunbrella fabric in different colors

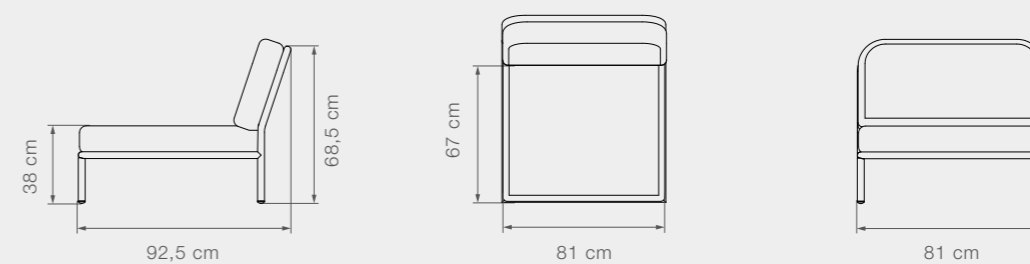
Maintenance: Repair lacquer

12201 + 12202 LEVEL / 22201 + 22202 LEVEL2 Corner, right and left



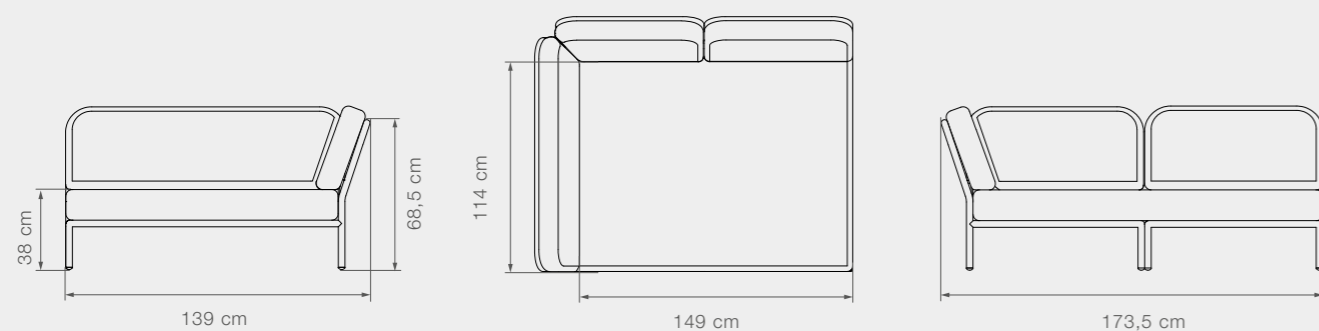
Product weight LEVEL	19,7 kg // 43,4	Width	139 cm // 54,7 in	Seat width w. cushion	114 cm // 44,9 in	Tube size	Ø30 mm // 1,2 in
Product weight LEVEL 2	24,2 kg // 53,4 lbs	Depth	92,5 cm // 36,4 in	Seat depth w. cushion	67 cm // 26,4 in	Lamella size	1,5x7 cm // 0,6x2,8 in
Diameter	162 cm // 63,8 in	Height	68,5 cm // 27 in	Seat height w. cushion	38 cm // 15 in		

12205 LEVEL / 22205 LEVEL2 Chair



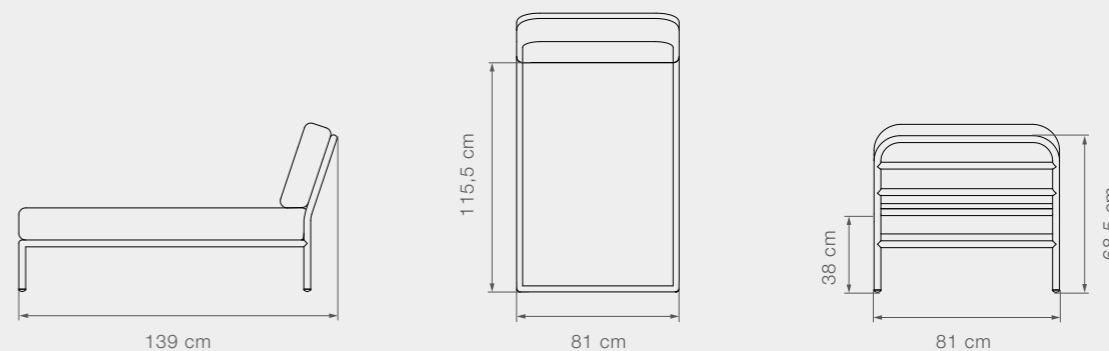
Product weight LEVEL	11,4 kg // 25,1 lbs	Width	81 cm // 31,9 in	Seat width w. cushion	81 cm // 31,9 in	Tube size	Ø30 mm // 1,2 in
Product weight LEVEL 2	13,2 kg // 29,1 lbs	Depth	92,5 cm // 36,4 in	Seat depth w. cushion	67 cm // 26,4 in	Lamella	1,5x7 cm // 0,6x2,8 in
Diameter	120 cm // 47,2 in	Height	68,5 cm // 27 in	Seat height w. cushion	38 cm // 15 in		

12211 + 12212 LEVEL / 22211 + 22212 LEVEL2 Cozy corner, right and left



Product weight LEVEL	35,5 kg // 78,3 lbs	Width	173,5 cm // 68,3 in	Seat width w. cushion	149 cm // 58,7 in	Tube size	Ø30 mm // 1,2 in
Product weight LEVEL 2	41,5 kg // 91,5 lbs	Depth	139 cm // 54,7 in	Seat depth w. cushion	114 cm // 44,9 in	Lamella size	1,5x7 cm // 0,6x2,8 in
Diameter	222 cm // 87,4 in	Height	68,5 cm // 27 in	Seat height w. cushion	38 cm // 15 in		

12209 LEVEL / 22209 LEVEL2 Chaiselong



Product weight LEVEL	15,9 kg // 35 lbs	Width	81 cm // 31,9 in	Seat width w. cushion	81 cm // 31,9 in	Tube size	Ø30 mm // 1,2 in
Product weight LEVEL 2	17,7 kg // 39 lbs	Depth	139 cm // 54,7 in	Seat depth w. cushion	115,5 cm // 45,5 in	Lamella	1,5x7 cm // 0,6x2,8 in
Diameter	158 cm // 62,2 in	Height	68,5 cm // 27 in	Seat height w. cushion	38 cm // 15 in		



# 130

DESCRIPTION

## LEVEL / LEVEL2

### LOUNGE SPECIFICATIONS

Powder coated muted white or grey aluminum frame

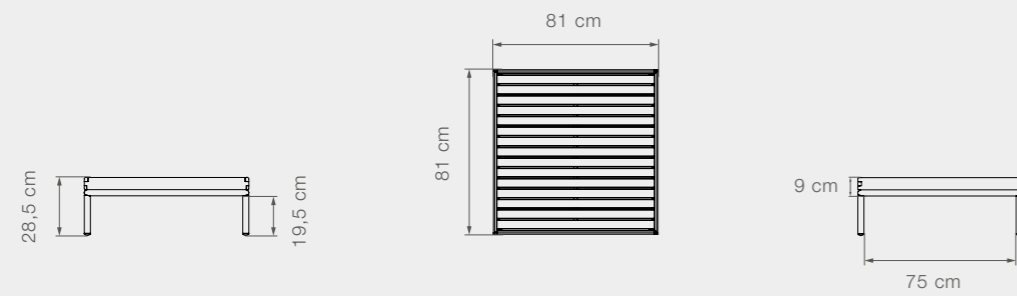
Bamboo tabletop

Cushions in Sunbrella fabric in different colors

Maintenance: Oil / Repair lacquer

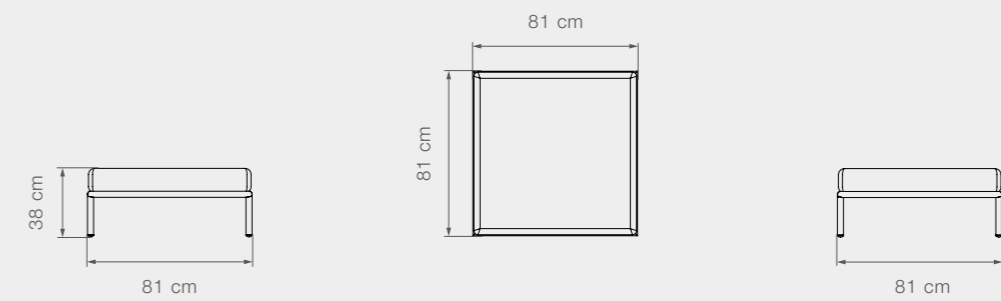
\*TT = TableTop

**12204 LEVEL / LEVEL2** Coffee table



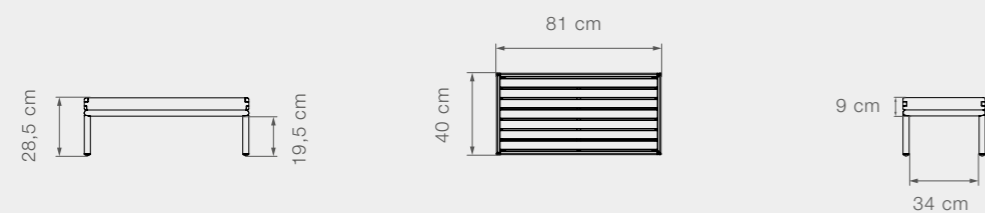
Product weight	12,7 kg // 28 lbs	Width	81 cm // 31,9 in	Height under TT*	19,5 cm // 7,7 in	Space legs top	75 cm // 29,5 in
Tube size	Ø30 mm // 1,2 in	Depth	81 cm // 31,9 in	TT* thickness	9 cm // 3,5 in	Diameter	114 cm // 44,9 in
Lamella size	1,5x4,5 cm // 0,6x1,8 in	Height	28,5 cm // 11,2 in	Space legs floor	75 cm // 29,5 in	Slats used	15

**12203 LEVEL / 22203 LEVEL2** Ottoman



Product weight	8,6 kg // 19 lbs	Width	81 cm // 31,9 in	Seat width w. cushion	81 cm // 31,9 in	Diameter	114 cm // 44,9 in
Tube size	Ø30 mm // 1,2 in	Depth	81 cm // 31,9 in	Seat depth w. cushion	81 cm // 31,9 in		
Lamella size	1,5x4,5 cm // 0,6x1,8 in	Height	22,5 cm // 8,9 in	Seat height w. cushion	38 cm // 15 in		

**12206 LEVEL / LEVEL2** Side table



Product weight	6,3 kg // 13,9 lbs	Width	40 cm // 15,7 in	Height under TT*	19,5 cm // 7,7 in	Space legs top	34 cm // 13,4 in
Tube size	Ø30 mm // 1,2 in	Depth	81 cm // 31,9 in	TT* thickness	9 cm // 3,5 in	Diameter	90 cm // 35,4 in
Lamella size	1,5x4,5 cm // 0,6x1,8 in	Height	28,5 cm // 11,2 in	Space legs floor	34 cm // 13,4 in	Slats used	7



# 132

## AVON

### OUTDOOR LOUNGE

A lounge collection with frames in powder coated steel and soft cushions in Sunbrella Heritage and Basic fabric.

Tabletop in thermo ash (FSC® – FSC C153404).

The AVON collection is designed with focus on creating a lounge collection with a very light appearance and a low sleek profile, while maintaining a high level of comfort. The simplicity of the frame, where low lines ensure, that the design always appears stylish, with and without cushions – summer or winter.

The handle of the cushions is a statement. It also adds to the function of the product, making them easy to grab and store if needed.

Read more about AVON fabrics on page 144.

Designed by Henrik Pedersen



2 year warranty



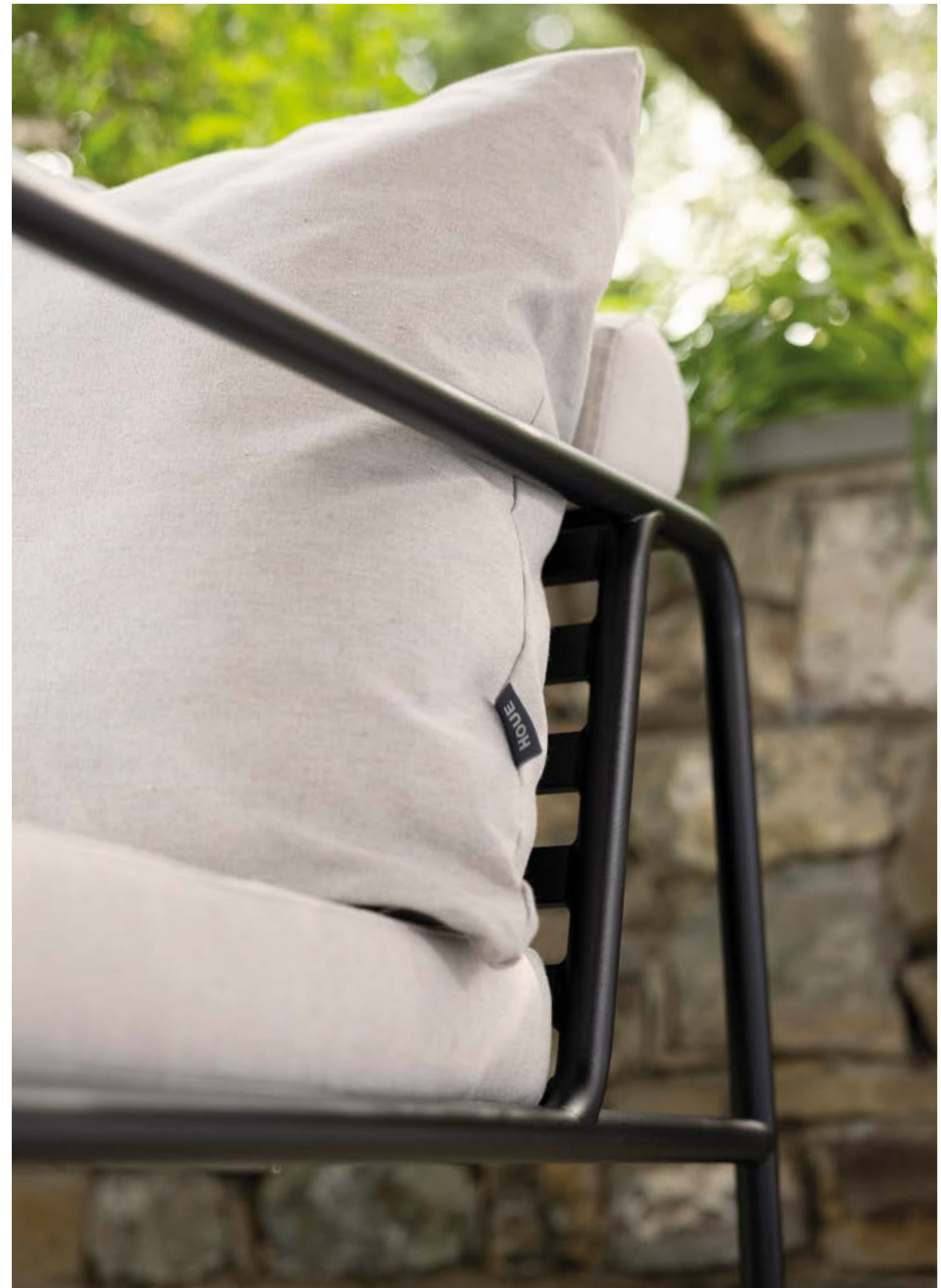
uv protected



weather resistant



EN581





# 134

DESCRIPTION

## AVON

### LOUNGE SPECIFICATIONS

Powder coated muted white or black steel frame

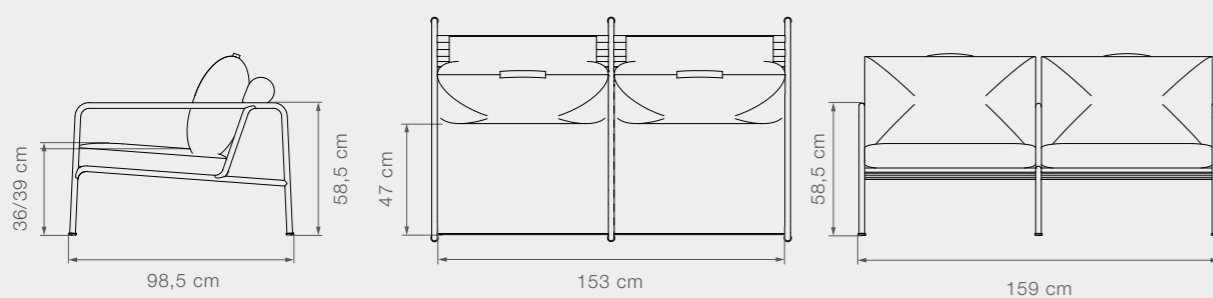
Cushions in Sunbrella fabric in different colors

Maintenance: Repair lacquer

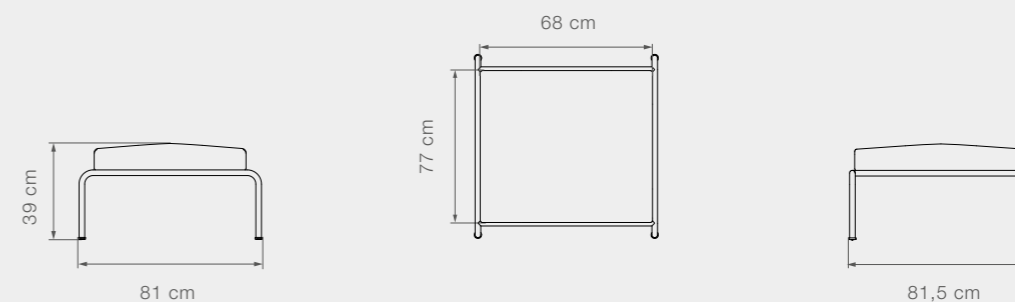
\*TT = TableTop

14207 AVON 2 seater sofa

14208 AVON Ottoman



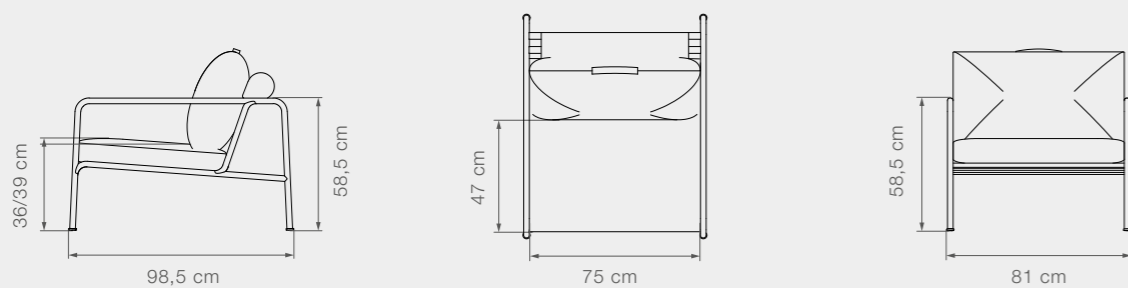
Product weight	32,3 kg // 71,2 lbs	Width	159 cm // 62,6 in	Seat width w. cushion	153 cm // 60,2 in	Armrest height	58,5 cm // 23 in
Tube size	Ø25 mm // 1 in	Depth	98,5 cm // 38,8 in	Seat depth w. cushion	47 cm // 18,5 in	Diameter	186 cm // 73,2 in
Lamella size	3x1 cm // 1,2x0,4 in	Height	58,5 cm // 23 in	Seat height w. cushion	36/39 cm // 14,2/15,4 in		



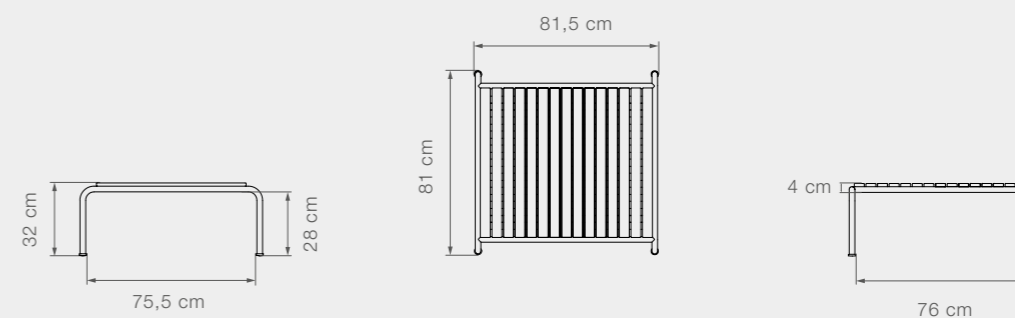
Product weight	10,4 kg // 22,9 lbs	Width	81,5 cm // 32,1 in	Seat width w. cushion	68 cm // 26,8 in	Diameter	114 cm // 44,7 in
Tube size	Ø25 mm // 1 in	Depth	81 cm // 31,9 in	Seat depth w. cushion	77 cm // 30,3 in		
Lamella size	3x1 cm // 1,2x0,4 in	Height	30,5 cm // 12 in	Seat height w. cushion	39 cm // 15,4 in		

14205 AVON Chair

14208 AVON Table



Product weight	18 kg // 39,7 lbs	Width	81 cm // 31,9 in	Seat width w. cushion	75 cm // 29,5 in	Armrest height	58,5 cm // 23 in
Tube size	Ø25 mm // 1 in	Depth	98,5 cm // 38,8 in	Seat depth w. cushion	47 cm // 18,5 in	Diameter	127 cm // 50 in
Lamella size	3x1 cm // 1,2x0,4 in	Height	58,5 cm // 23 in	Seat height w. cushion	36/39 cm // 14,2/15,4 in		



Product weight	14,6 kg // 32,2 lbs	Width	81,5 cm // 32,1 in	Height under TT*	28 cm // 11 in	Space legs front	76 cm // 29,9 in
Tube size	Ø25 mm // 1 in	Depth	81 cm // 31,9 in	TT* thickness	4 cm // 1,6 in	Diameter	114 cm // 44,7 in
Lamella size	3x1 cm // 1,2x0,4 in	Height	32 cm // 12,6 in	Space legs side	75,5 cm // 29,7 in		



# 136

DESCRIPTION

## AVON

### LOUNGE SPECIFICATIONS

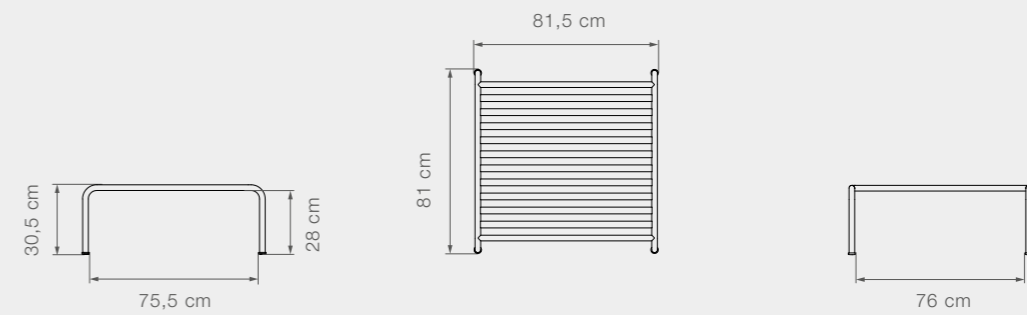
Powder coated muted white or black steel frame

Maintenance: Repair lacquer

\*TT = TableTop



14208 AVON Base



Product weight	8,2 kg // 18,1 lbs	Width	81,5 cm // 32,1 in	Height under TT*	28 cm // 11 in	Diameter	114 cm // 44,9 in
Tube size	Ø25 mm // 1 in	Depth	81 cm // 31,9 in	Space legs side	75,5 cm // 29,7 in		
Lamella size	3x1 cm // 1,2x0,4 in	Height	30,5 cm // 12 in	Space legs front	76 cm // 29,9 in		



# 138

## MOLO

### OUTDOOR LOUNGE

A sunbed with soft rounded bamboo lamellas and a leg-construction in powder coated black steel.

The back of the MOLO Sunbed is adjustable with five different positions, which makes it possible to either lay down or sit – it is versatile and can be used as a daybed too.

MOLO Wheel set is an optional addition to MOLO, providing the convenience to move the sunbed around with ease.

Designed by Henrik Pedersen



2 year  
warranty



uv  
protected



weather  
resistant





# 140

DESCRIPTION

## MOLO

### LOUNGE SPECIFICATIONS

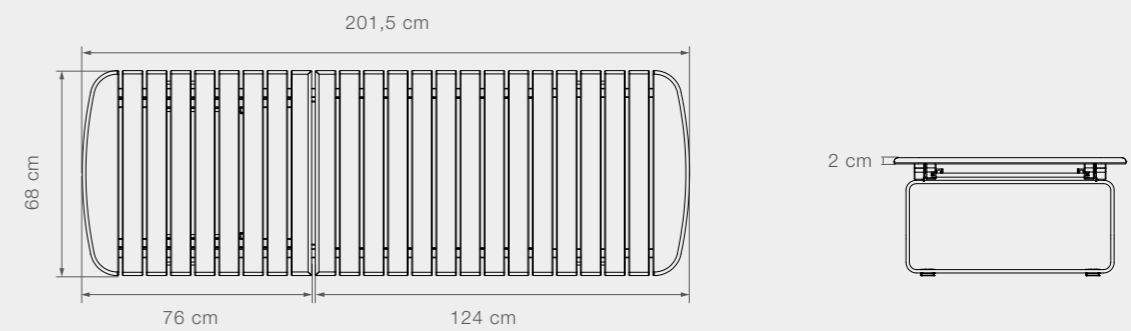
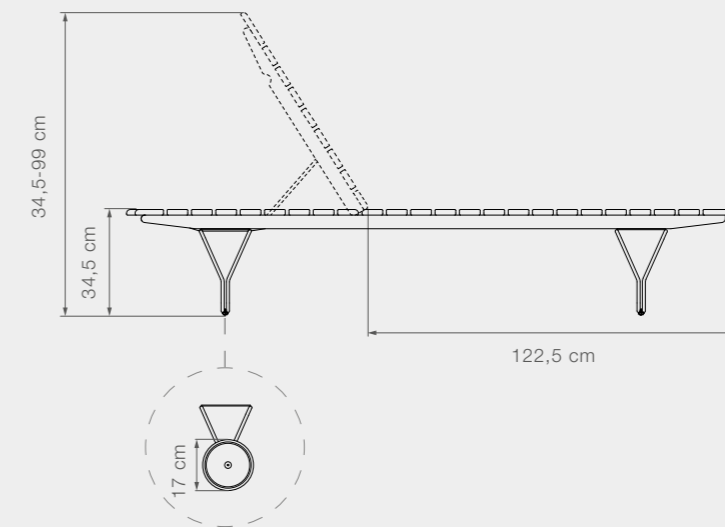
Sunbed with bamboo lamellas and 5 positions  
Powder coated black steel leg-construction  
Wheel: Powder coated black aluminum, silicone

Sunbrella Heritage fabric contains 50% recycled Sunbrella acrylic, 47% Sunbrella acrylic and 3% polyester.

Maintenance: Oil / Repair lacquer



13101 MOLO Sunbed + 13131 MOLO Wheel



Product weight	26 kg // 57,3 lbs	Width	68 cm // 26,8 in	Seat depth	122,5-124 cm // 48,2-48,8 in	Slats thickness	2 cm // 0,8 in
Wheel weight	1,1 kg // 2,4 lbs	Length	201,5 cm // 79,3 in	Backrest length	76 cm // 29,9 in	Diameter	203 cm // 79,9 in
Tube size	Ø10 mm // 0,4 in	Height	34,5 cm // 13,6 in	Backrest height	34,5-99 cm // 13,6-39 in	Positions	5
Slats used	24 pcs	Wheel	Ø17 cm // Ø6,7 in				







## MATERIALS & MAINTENANCE

### OUTDOOR

#### FABRICS

Our SUNBRELLA fabrics are OEKO-TEX® and GREEN-GUARD certified, water repellent, stain resistant and easy to maintain.

#### SUNBRELLA HERITAGE

The Heritage fabrics are made of 50% recycled acrylic, 47% acrylic and 3% polyester. Colorful fibres from the recycling process of the material may appear in the weave and the fabric color can vary slightly from one batch to another. This creates a unique fabric with a natural look.

#### SUNBRELLA NATTÉ

The Natté fabric is made of 100% acrylic.

#### BASIC FABRIC

The Basic fabric is water repellent and stain resistant and made of 100% polyester.

#### PLASTIC

#### POLYPROPYLENE (PP)

PP is a hard recyclable plastic material. It is low maintenance and durable as UV additives are added to protect the material from sunlight and keep the colors vibrant.

#### HOUSEHOLD PLASTIC WASTE (MyWaste)

MyWaste is our term for the recycled plastic that we use to create our collections; ReCLIPS and NAMI series. This plastic is sourced from Danish household waste and repurposed into Danish design products.

By using recycled plastic, we can reduce our reliance on virgin materials and still produce high-quality products with the same properties as new plastic in terms of performance and durability.

The recycled base-material varies in color from batch to batch, which may result in minor color variations.

#### METAL

#### STEEL

Steel parts are powder coated with two layers; a primer and a top layer that is UV resistant and suitable for outdoor use. The surface treatment prevents rust, but if damaged rust will develop. Therefore, we recommend that scratches exposing the metal are repaired with repair lacquer.

#### ALUMINUM

Aluminum parts have one layer of powder coat that is UV resistant and suitable for outdoor use. The surface treatment will prevent corrosion and repairing scratches with repair lacquer is recommended - mainly to keep the appearance of the product.

#### PINE

For centuries, pine wood has been a cornerstone of outdoor craftsmanship, trusted for its ability to withstand natural environment.

Our specially selected wood is sourced from sustainably managed European forests (FSC® – FSC C153404) and are oiled to preserve your furniture from moisture and effects of outdoor exposure.

Over time pine wood will get a deeper and intense color. For the best care we recommend to regularly apply oil to create a protective layer against the natural environment. Storing the furniture indoors during winter prevents damage from freezing temperatures and moist.

#### THERMO ASH

Our thermo ash is sourced from sustainably managed European forests (FSC® – FSC C153404) and is thermally treated at a temperature of 215°C without any addition of chemical substances. This treatment turns the color of the wood into a warm brown color and ensures an impressive durability.

Over time wind and weather will give the thermo ash a grey patina. To keep or to regain the brown color, just sand the surface and treat it with an oil suitable for outdoor furniture. We recommend treating the thermo ash with oil on a regular basis.

#### BAMBOO

Bamboo is a type of grass that grows from its roots and when harvested it quickly grows back without the need for watering or use of pesticides.

For outdoor furniture it is a material that needs to be taken care of in order to maintain a rich and beautiful surface. The material has a hard surface but since it does not contain oil naturally, it becomes porous if left to dry out. We recommend treating the bamboo with oil specifically for outdoor furniture on a regular basis to help protect it from the elements.

In general, other conditions apply to all materials exposed to extreme climates. Please refer to our maintenance guides for detailed information.



#### HOUE OIL, BAMBOO 90-0100

Type Oil, 250 ml, for maintenance of bamboo for outdoor furniture

Oil for maintenance



#### HOUE OIL, NATURAL 90-0101

Type Oil, 250 ml, for maintenance of thermo ash and pine for outdoor furniture

Oil for maintenance



#### HOUE REPAIR LACQUER 90-00XX

Type Repair lacquer, 10 ml, for maintenance of steel and aluminum  
Color See [houe.com/spareparts](https://www.houe.com/spareparts)

Repair lacquer for maintenance





# together we make it last

At HOUE we focus on high quality design and carefully select the best material options available. We see it as our responsibility to develop durable products and our furniture is built to withstand the wear and tear of everyday use.

As the sustainability agenda has become increasingly important it is obvious that the throw-away culture belongs to the past. Instead, it is required that furniture is not only of high quality – but also designed responsibly to ensure that it is easy to maintain and repair – or even possible to replace parts if required.

We believe that there are a lot of sustainable achievements to be gained in the use phase of our products. With proper care the lifespan can be extended significantly, and this is fundamental in order to minimize the environmental impact.

We wish to inspire you to take good care of your products.

We offer products for maintenance as well as spare parts to replace and renew parts such as lamellas and armrests – this keeps the original look and function of your furniture for many years to come.

<b>spare parts</b>				
			<p>Maintain and repair your HOUE furniture. Spare parts and maintenance guides can be found at: <b>houe.com/spareparts</b> ← or scan the QR code.</p>	
		<b>HOUE</b>		



---

20 24

---

**HOUE**

HOUE.COM

