

101

C O P E N H A G E N



CURVE PENDANT

Drawing inspiration from minimalist art, the Curve pendant seamlessly melds light and sculpture, creating a striking graphic lighting design. This pendant showcases a radiant white acrylic tube, which houses a long-lasting LED light source, boasting 25,000 hours of illumination at a warm Kelvin 2400. Accented with plated metal fittings at both ends, and mounted on streamlined, geometric metal fixtures, the Curve pendant evokes a distinctly graphic ambiance.

Shifting away from the starkness typically associated with neon, these innovative lamps exude a warmer, more inviting glow, setting the ambiance for a cozy and comforting atmosphere.

Designed by Kristian Sofus Hansen & Tommy Hyldahl.

Product no: 231056

Type: Lamp / Indoor

Designer / Year of design:

Kristian Sofus Hansen & Tommy Hyldahl, 2022

Colour / Material:

Metal: Plated metal / Acrylic

Cable: Fabric covered cable / Black

Dimensions:

L16 / W2 / H70 CM

Ceiling cup: L11,5 / H4,8 CM

Cable 1: 200 CM / Cable 2: 210 CM

Country of origin: CN

Product weight: 1.35 Kgs

Packaging:

Dimensions: L98 / W23 / H8 CM

Total weight incl. product: 1,95 Kgs

Number of parcels: 1

Material: Brown cardboard

Light source:

Inbuilt LED light

LED bulbs cannot be changed or replaced

Burning hours: 25,000 hours

IP rating: 20 Max Watt: 17

Kelvin: 2400

Please note that the lamp has an inbuilt dimmable driver. For the dimmer to function correctly a dimmable system or switch is required. Without a dimmable system, the lamp turns on and off.

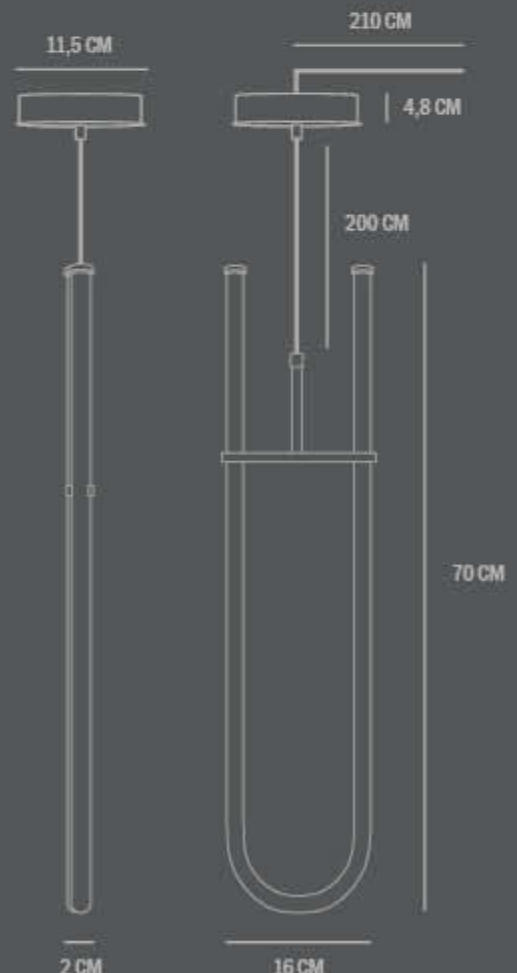
Care instructions:

Use a soft dry cloth to clean the product.

Do not use household cleaners.

Certifications: EMC, LVD, UKCA

Does not comply with US Standards.



101

C O P E N H A G E N



CURVE PENDANT

Drawing inspiration from minimalist art, the Curve pendant seamlessly melds light and sculpture, creating a striking graphic lighting design. This pendant showcases a radiant white acrylic tube, which houses a long-lasting LED light source, boasting 25,000 hours of illumination at a warm Kelvin 2400. Accented with plated metal fittings at both ends, and mounted on streamlined, geometric metal fixtures, the Curve pendant evokes a distinctly graphic ambiance.

Shifting away from the starkness typically associated with neon, these innovative lamps exude a warmer, more inviting glow, setting the ambiance for a cozy and comforting atmosphere.

Designed by Kristian Sofus Hansen & Tommy Hyldahl.

Product no: 249011

Type: Lamp / Indoor

Designer / Year of design:
Kristian Sofus Hansen & Tommy Hyldahl, 2022

Colour / Material:
Metal: Plated metal / Acrylic
Cable: Fabric covered cable / Black

Dimensions:
L16 / W2 / H70 CM
Ceiling cup: L11,5 / H4,8 CM
Cable: 500 CM

Country of origin: CN
Product weight: 1,35 Kgs

Packaging:
Dimensions: L98 / W23 / H8 CM
Total weight incl. product: 1,95 Kgs
Number of parcels: 1
Material: Brown cardboard

Light source:
Inbuilt LED light
LED bulbs cannot be changed or replaced
Burning hours: 25,000 hours
IP rating: 20 Max Watt: 17
Kelvin: 2400

Please note that the lamp has an inbuilt dimmable driver. For the dimmer to function correctly a dimmable system or switch is required. Without a dimmable system, the lamp turns on and off.

Care instructions:
Use a soft dry cloth to clean the product.
Do not use household cleaners.

Certifications: EMC, LVD, UKCA

Does not comply with US Standards.

