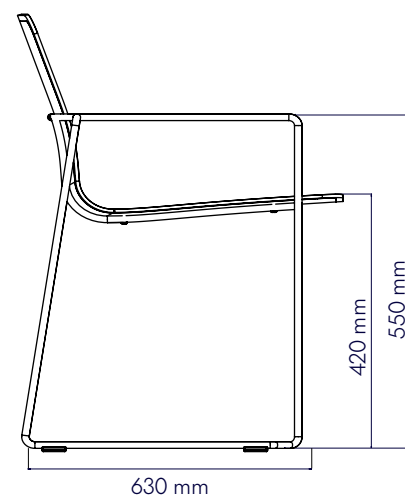
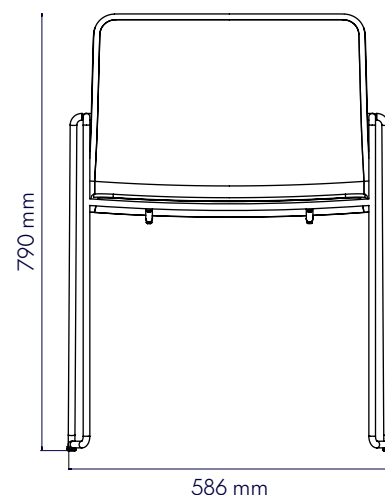




The Sal Collection has been designed to offer a selection of chairs and armchairs with a light, modern and, most importantly, cozy feel. To achieve this, we have incorporated a steel structure of minimal thickness, which provides a sense of lightness while ensuring durability. To complement this structure, a fabric reminiscent of natural fibers such as sisal has been chosen to give the collection a natural, warm and handcrafted look. This fabric takes center stage in the collection, highlighting its cozy appearance and its excellent ability to withstand different weather conditions.

This collection perfectly combines the strength and endurance required for outdoor areas with a welcoming aesthetic. Whether for contemporary, rustic or coastal settings, our chairs have a timeless appeal and exceptional quality, ensuring their presence in any outdoor space. The fabric used to upholster this Collection is highly durable and durable. It tolerates both fresh and salt water and its maintenance, as it does not require cushions, is very practical and recommended for outdoor use.

sal, dining armchair



Frame

Material

- Inner shell made of recycled abs polymer.
- Legs. Steel with a cataphoresis treatment and polyester powder coating.

See all the available colors in our current Bivaq Catalog or website.

Upholstery

Polypropylene fabric

The polypropylene fabric used in the Sal collection has a similar appearance to natural fibers such as sisal with the advantage that it not only resists fresh water but also salt water, as well as the effects of sunlight, greatly increasing the possibilities of use. The fabric is finished with a piping in the same color.

Maintenance

Powder-coated steel

- For an optimal conservation of the furniture, we recommend to clean the surface regularly with warm water and neutral soap, use a non-abrasive sponge or cloth, rinse with plenty of water immediately after cleaning and remove the water on the surface with a drying cloth to help you avoid water stains.

Polypropylene fabric

- Wipe the stain with a cloth soaked in soapy water and rub from the outside to the inside of the stain until no more dirt is visible.
- Rinse the stain and soap residue with clean water, allow to dry naturally or in the open air.
- If the fabric has significant stains, pressure washing is the recommended method of cleaning.

Weight and volume

Product	Kg/Lbs	m3/cft
Sal dining chair	8,5/19	0,36/13

Other features

Stackable.

The product is delivered assembled.

Available waterproof cover.

Suitable for outdoor use.

Resistant to weathering and sunlight.