

Inumbra

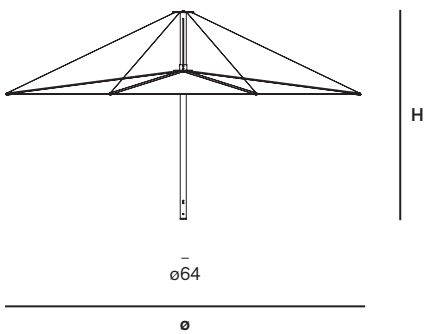
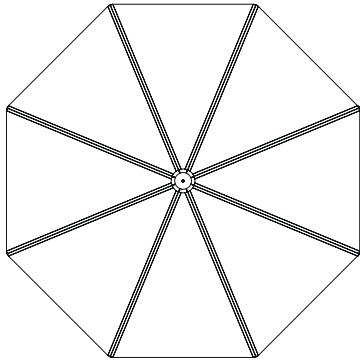
© design by Dirk Wynants

extremis®



Dimensions

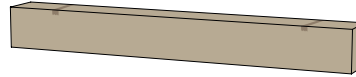
The Inumbra is available in two dimensions



Box dimensions

The Inumbra comes in 1 box

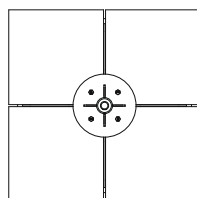
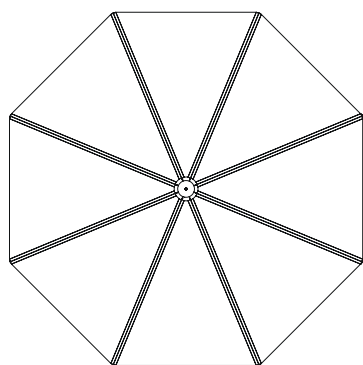
Box 1: Inumbra + cover



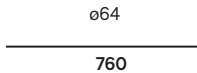
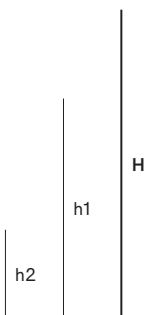
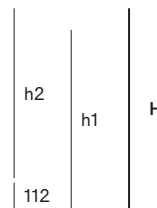
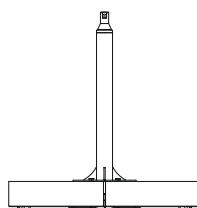
| Dimensions (mm) | ø | H |
|-----------------|------|------|
| Inumbra medium | 3500 | 2024 |
| Inumbra large | 4000 | 2184 |

| Box dimensions (mm) | | L | W | H | Qty | Volume (m ³) | Gross weight (kg) | Net weight (kg) | Packaging weight (kg) |
|---------------------|-------|------|-----|-----|-----|--------------------------|-------------------|-----------------|-----------------------|
| Inumbra medium | Box 1 | 2260 | 260 | 260 | 1 | 0,15 | 33,80 | 30,20 | 3,60 |
| Inumbra large | Box 1 | 2260 | 260 | 260 | 1 | 0,15 | 38,00 | 35,20 | 2,80 |

With concrete base



| Dimensions (mm) | H | h1 | h2 |
|--------------------|-----|-----|-----|
| Concrete base low | 784 | 712 | 672 |
| Concrete base high | 884 | 812 | 772 |



| Dimensions (mm) | ø | H | h1 | h2 |
|--------------------------------|------|------|------|-----|
| Medium with concrete base low | 3500 | 2738 | 1930 | 712 |
| Large with concrete base low | 4000 | 2898 | 2034 | 712 |
| Medium with concrete base high | 3500 | 2838 | 2030 | 812 |
| Large with concrete base high | 4000 | 2998 | 2134 | 812 |

Box dimensions

The concrete base comes in 3 boxes

Box 2: Concrete block (x1)



Box 3: Frame

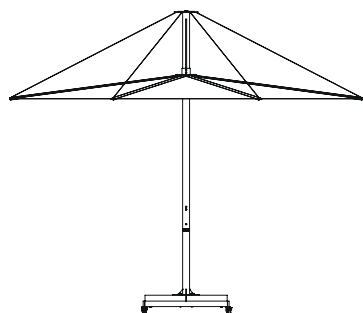
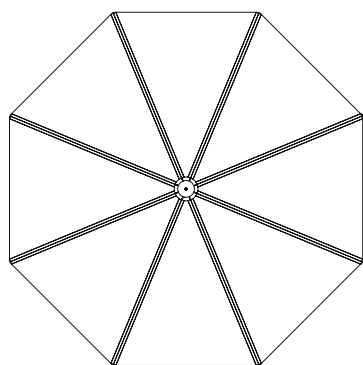


Box 4: Parasol base (floor fastening)



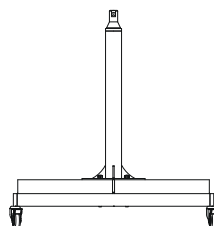
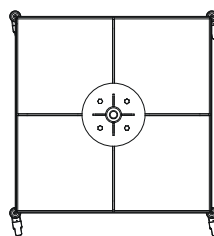
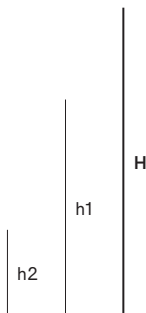
| Box dimensions (mm) | | L | W | H | Qty | Volume (m3) | Gross weight (kg) | Net weight (kg) | Packaging weight (kg) |
|---------------------|-------|-----|-----|-----|---------------|-------------|-------------------|-----------------|-----------------------|
| Concrete base low | Box 2 | 376 | 376 | 100 | 4 | 0,06 | 120,00 | 114,00 | 6,00 |
| | Box 3 | 720 | 310 | 130 | 1 | 0,03 | 7,20 | 6,50 | 0,70 |
| | Box 4 | 780 | 390 | 330 | 1 | 0,10 | 7,40 | 5,00 | 2,40 |
| | | | | | Total: | 0,19 | 134,60 | 125,50 | 9,10 |
| Concrete base high | Box 2 | 376 | 376 | 100 | 4 | 0,06 | 120,00 | 114,00 | 6,00 |
| | Box 3 | 720 | 310 | 130 | 1 | 0,03 | 7,20 | 6,50 | 0,70 |
| | Box 4 | 780 | 390 | 330 | 1 | 0,10 | 7,60 | 5,20 | 2,40 |
| | | | | | Total: | 0,19 | 134,80 | 125,70 | 9,10 |

With concrete wheel base



ø64

ø



672
790
862

ø64

820

| Dimensions (mm) | ø | H | h1 | h2 |
|---------------------------------|------|------|------|-----|
| Medium with concrete wheel base | 3500 | 2817 | 2009 | 790 |
| Large with concrete wheel base | 4000 | 2977 | 2169 | 790 |

Box dimensions

The concrete wheel base comes in 3 boxes

Box 2: Concrete block (x1)



Box 4: Parasol base (floor fastening)

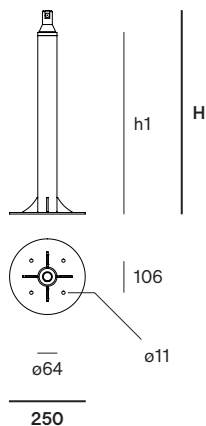
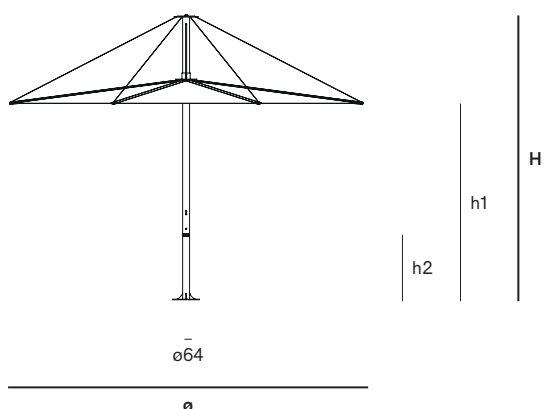
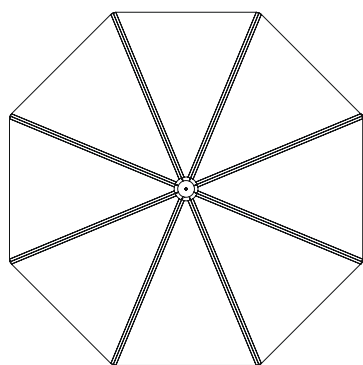


Box 5: Frame



| Box dimensions (mm) | | L | W | H | Qty | Volume (m3) | Gross weight (kg) | Net weight (kg) | Packaging weight (kg) |
|---------------------|-------|-----|-----|-----|--------|-------------|-------------------|-----------------|-----------------------|
| Concrete wheel base | Box 2 | 376 | 376 | 100 | 4 | 0,06 | 120,00 | 114,00 | 6,00 |
| | Box 4 | 780 | 390 | 330 | 1 | 0,10 | 7,40 | 5,00 | 2,40 |
| | Box 5 | 850 | 850 | 150 | 1 | 0,11 | 22,40 | 21,00 | 1,40 |
| | | | | | Total: | 0,27 | 149,80 | 140,00 | 9,80 |

With floor fastening



| Dimensions (mm) | H | h1 |
|----------------------|-----|-----|
| Floor fastening low | 672 | 600 |
| Floor fastening high | 772 | 700 |

| Dimensions (mm) | ø | H | h1 | h2 |
|----------------------------------|------|------|------|-----|
| Medium with floor fastening low | 3500 | 2627 | 1819 | 600 |
| Large with floor fastening low | 4000 | 2786 | 1922 | 600 |
| Medium with floor fastening high | 3500 | 2727 | 1919 | 700 |
| Large with floor fastening high | 4000 | 2886 | 2022 | 700 |

Box dimensions

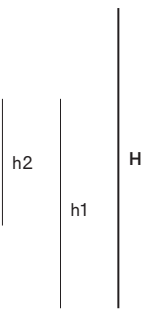
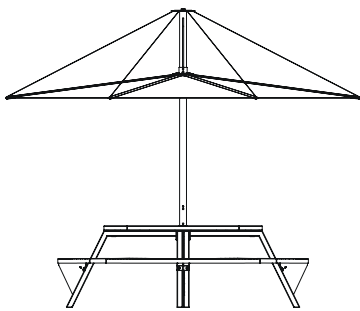
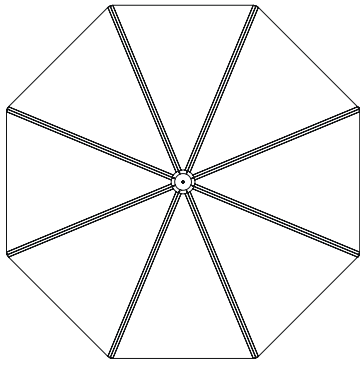
The floor fastening comes in 1 box

Box 4: Parasol base (floor fastening)



| Box dimensions (mm) | | L | W | H | Qty | Volume (m3) | Gross weight (kg) | Net weight (kg) | Packaging weight (kg) |
|----------------------|-------|-----|-----|-----|-----|-------------|-------------------|-----------------|-----------------------|
| Floor fastening low | Box 4 | 780 | 390 | 330 | 1 | 0,10 | 7,40 | 5,00 | 2,40 |
| Floor fastening high | Box 4 | 780 | 390 | 330 | 1 | 0,10 | 7,60 | 5,20 | 2,40 |

With Gargantua

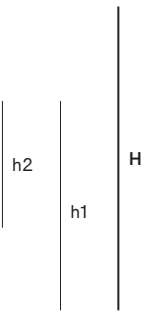
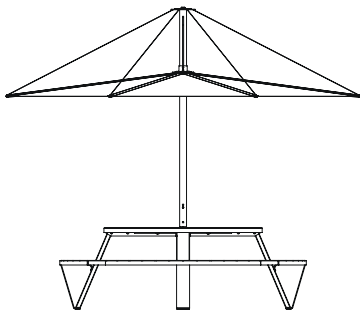
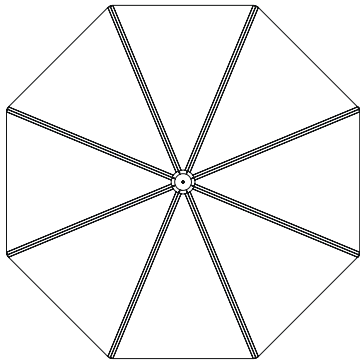


ø64

ø

| Dimensions (mm) | ø | H | h1 | h2 |
|-----------------------|------|------|------|------|
| Medium with Gargantua | 3500 | 2740 | 1932 | 1182 |
| Large with Gargantua | 4000 | 2900 | 2036 | 1206 |

With Pantagruel picnic



ø64

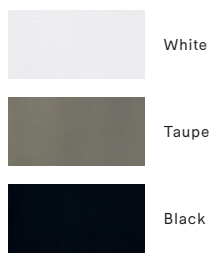
ø

| Dimensions (mm) | ø | H | h1 | h2 |
|-------------------------------|------|------|------|------|
| Medium with Pantagruel picnic | 3500 | 2770 | 1961 | 1214 |
| Large with Pantagruel picnic | 4000 | 2930 | 1986 | 1239 |

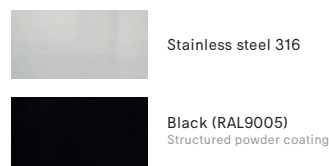
Materials & colors

Check price list or www.extremis.com for current materials & colors

Fabric



Pole



| Materials | Key facts | Thickness mm | Layer thickness micron | Density | In/outdoor | Water | UV color fastness | Flame retarding |
|---|--|-----------------|------------------------------|--|------------|--|--|--------------------|
| High-tech polyester fabric | <ul style="list-style-type: none"> High UV resistance and ultra strong Low weight / high tear strength Long-term appearance | 0,37 | n.a. | 250 g/m ³ | Outdoor | The fabric has a water column of 350 mm (EN 20811) | 7/8 (ISO 105-B02) | / |
| Stainless steel pole | <ul style="list-style-type: none"> High rust resistance Periodical maintenance required | 2 - 5 | n.a. | 8,00 10 ³ kg/m ³ | Outdoor | n.a. | Very good | NEN-EN13501-1 A1 * |
| Structured powder coated stainless steel pole | <ul style="list-style-type: none"> Easy to clean Stainless steel (for protection against rust), then powder coated More scratch-resistant than non structured powder coated | 2 | 80 | 8,00 10 ³ kg/m ³ | Outdoor | n.a. | Very good: color can fade to some extent when exposed to UV | NEN-EN13501-1 A1 * |
| Concrete base | <ul style="list-style-type: none"> Made under high pressure Matt and porous | 100 | n.a. | 2,10 10 ³ kg/m ³ | Outdoor | n.a. | Very good | NEN-EN13501-1 A1 * |
| Hot dip galvanized steel base for concrete (wheel) base | <ul style="list-style-type: none"> Most durable method for protecting metal from rusting Protective layer Very long life span 100% recyclable Cradle to Cradle Certified™ | 2 - 10 | 50 - 100 | 7,50 10 ³ kg/m ³ | Outdoor | n.a. | Very good, galvanization will however become less shiny when used outdoors | NEN-EN13501-1 A1 * |
| Cover | <ul style="list-style-type: none"> 100% polyester Polyuréthane coating Breathable, so not 100% waterproof | 0,50 | n.a. | 240 g/m ² | Outdoor | Water repellent & breathable | 6-8/8 (ISO 105-B02) | / |

NEN-EN13501-1 A1 Class A1 products will not contribute to fire in any stage, including fully developed fire. For this reason, they are assumed to be capable of satisfying all requirements of all lower classes as well.

Good to know

- The diameter of the pole is $\varnothing 63,5$ mm.
- The parasol cover is included.
- Inumbra combines perfectly with Gargantua or Pantagruel.



With Gargantua



With Pantagruel picnic

F.A.Q.

Q: *Is the fabric 100% waterproof?*

A: With light rain you stay easily seated under the parasol. The fabric is slightly slanted in opened position. With heavy rain, the canvas lets through only a little bit of water. This is typical for the fabric and necessary, because the fabric should be able to ventilate.

Q: *Can you remove the fabric for washing?*

A: We do not advise this but it is possible. In the first place, you should close the parasol when you do not use it and protect it with its cover. This protects the parasol from getting dirty.

Q: *How resistant is the parasol?*

A: Tests in a windtunnel have shown that the shade withstands wind speeds up to 8 on the Beaufort scale (74 km/h). Still, we strongly advise to take of the fabric sooner (from 6 on the Beaufort scale is the rule of thumb (49 km/h)).

Q: *Do you need to use a parasol cover?*

A: The cover is needed to protect and fix the parasol when not in use. Protect your parasol from polluted rain, bird droppings, dust and heavy winds to avoid marks or stains on the parasol fabric.

Maintenance

PARASOL FABRIC

- Shake or brush off loose dirt immediately.
- Spray Extremis Multi Cleaner.
- Use a soft brush and make circular movements.
- Let the suds soak in for a moment.
- Rinse thoroughly to remove all soap residue.
- Simply allow to dry.

STAINLESS STEEL

- Clean regularly with a dry cloth and some stainless steel cleaner.

Floor fastening

Inumbra comes with an optional floor anchoring set and an assembly for permanent fixation into a concrete foundation.

Warnings

General

- Do not use any sharp tools to open the packaging.
- We strongly advise against using power tools.
- Tripping hazard, mind your step.
- Do not put out cigarettes on the parasol.
- Not graffiti proof.
- To avoid danger of suffocation, keep plastic bags away from babies and children.
- Colors can differ over years and from batch to batch.

Product

- Do not leave the parasol unattended when opened.
- Anchoring the product has to be done by qualified people.
- For anchoring: use suitable bolts or screws from a specialized store depending on the material your terrace is made of.
- There is a 5mm gap between the parasol tube and the tube installed on the concrete base in order to ensure a proper fixation. As a result, the parasol will not be able to loosen by movement.
- If you hear the cables whistling due to heavy wind or if you are not using the parasol, close it and use the cover to avoid the parasol from opening or getting dirty.
- For ventilation purposes, the cover is not 100% waterproof.
- Ask for assistance when closing the parasol in strong winds. Opposite the wind's direction, at least one person needs to guide the parasol's

spines downwards in order to avoid the parasol from blowing open fiercely halfway down.

- Store the parasol when not used for a long time as follows: vertically, completely dry and in a dry environment.
- Do not leave closed if not completely dry. Do not leave the parasol closed for a long time when the parasol fabric is still damp or wet.
- The fabric can be removed for washing but we do not advise this. In the first place, you should close the parasol when you do not use it and protect it with its cover. This protects the parasol from getting dirty.
- Tests in a windtunnel have shown that the shade withstands wind speeds up to 8 on the Beaufort scale (74 km/h) when anchored to the floor. Still, we strongly advise to take of the fabric sooner (from 6 on the Beaufort scale is the rule of thumb (49 km/h)).

High-tech polyester

- Shake or brush off loose dirt immediately.
- Do not use any aggressive detergents as they will remove the protective coating of the fabric.
- We strongly advise you not to use a high-pressure hose for cleaning.

Stainless steel

- Very good UV color fastness.
- Flame retarding: NEN-EN13501-1 A1 - Class A1 products will not contribute to fire in any stage,

including fully developed fire. For this reason, they are assumed to be capable of satisfying all requirements of all lower classes as well.

- Watch out, stainless steel isn't entirely rustproof! Be sure to avoid contact with iron objects. If it does show signs of rust, clean with rust remover as quickly as possible.

Powder coating

- White powder coating requires more maintenance.
- Do not use abrasive scouring powders or scourers as they will scratch the surface.
- Color can fade to some extent when exposed to UV.
- Flame retarding - NEN-EN13501-1 A2-sl - Satisfying the same criteria as Class B for the SBI-test according to EN13823. In addition, under conditions of a fully developed fire these products will not significantly contribute to the fire load and fire growth.
- Dark colors can get very hot in sunny weather.

Concrete

- Matt and porous.
- Very good UV color fastness.
- Flame retarding: NEN-EN13501-1 A1 - Class A1 products will not contribute to fire in any stage, including fully developed fire. For this reason, they are assumed to be capable of satisfying all requirements of all lower classes as well.